

Construction Metal Products, Inc.

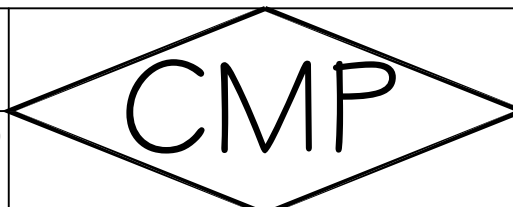
System: CMP Series 2500

Drawings

1. Panel & Clip Profile
2. Panel Sealant
3. Eave Flashing with Gutter
4. Locking Eave
5. High Eave
6. Gable End
7. Hip/Ridge
8. Vented Ridge
9. Valley
10. Roof To Wall
11. Pitchbreak Flashing

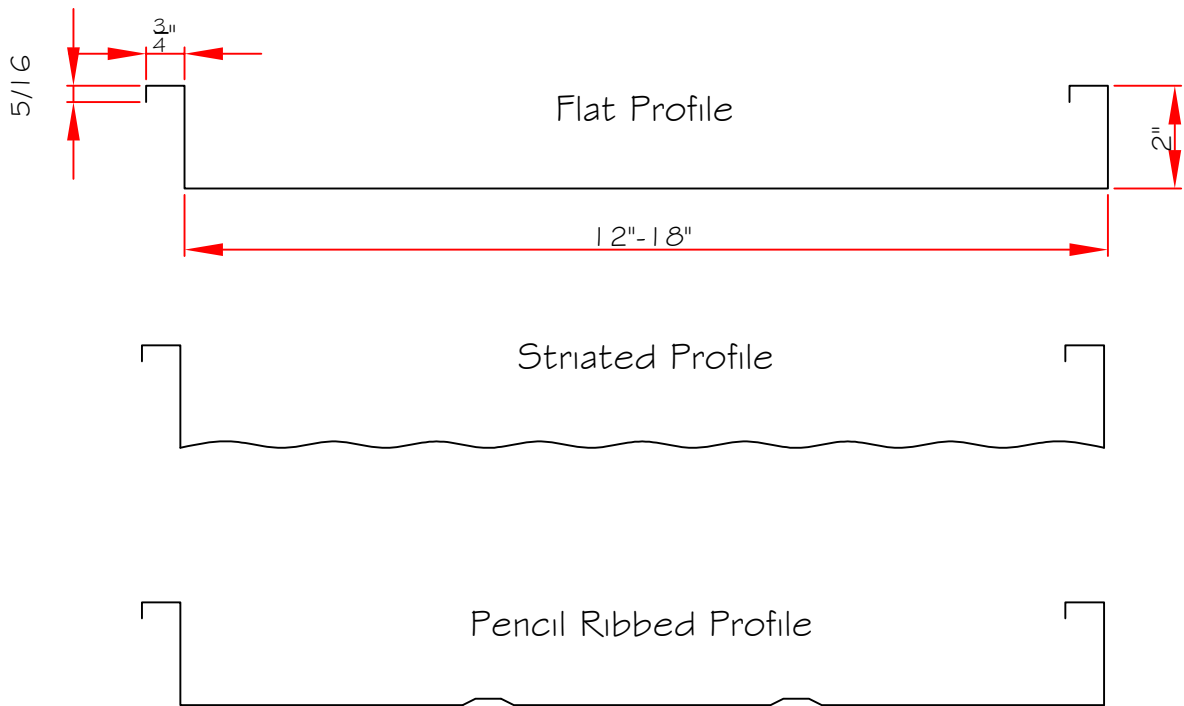
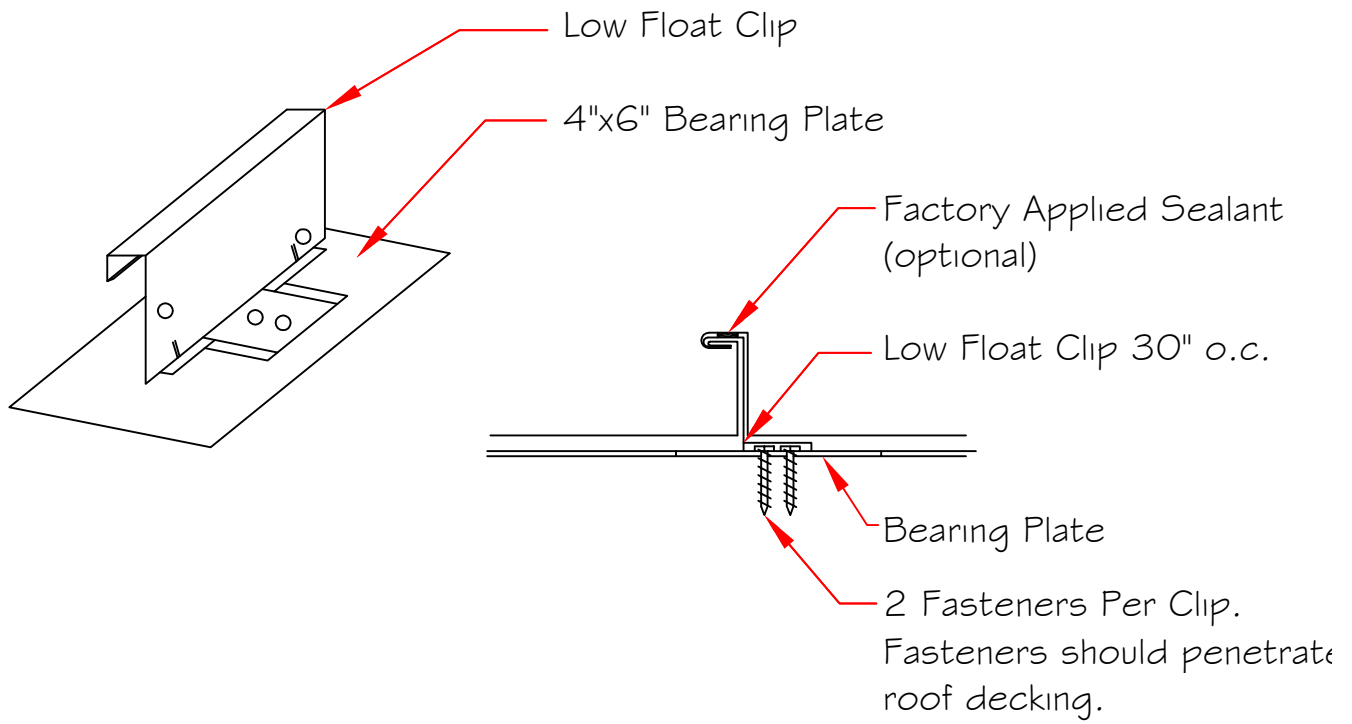
DETAIL:

SYSTEM: CMP SERIES 2500
DATE: 7-7-05



SCALE:

DRAWING NO:



Note: Striated Profile is Standard

DETAIL: Panel & Clip Profile

SCALE:

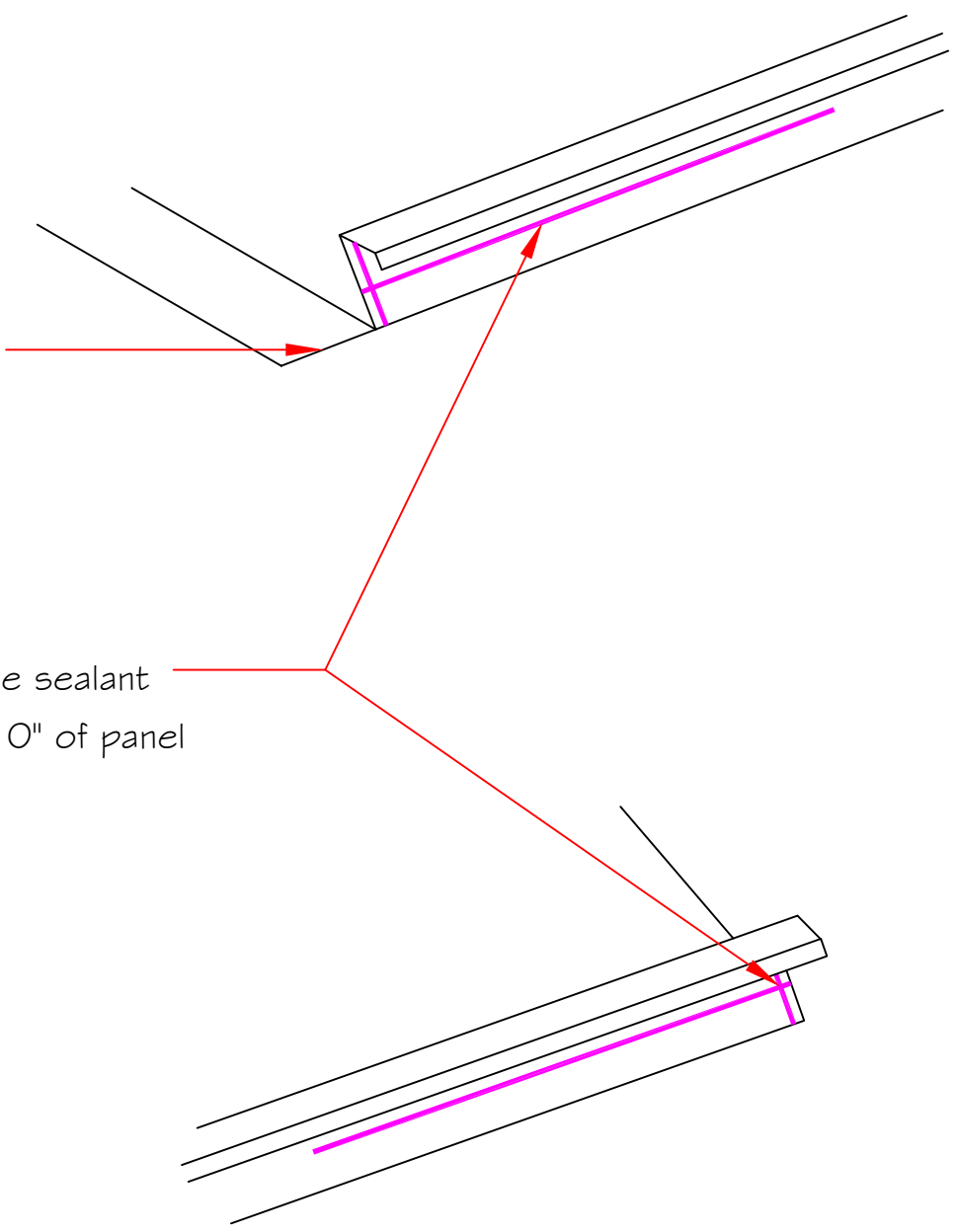
SYSTEM: CMP SERIES 2500
DATE: 7-7-05

CMP

DRAWING NO: 1

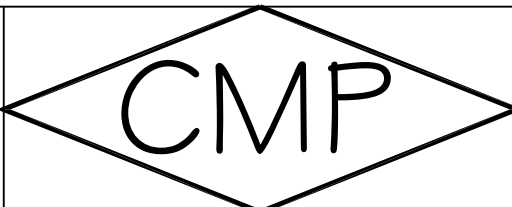
Field notch & hem
under eave flashing.

Apply tube sealant
for first 10" of panel



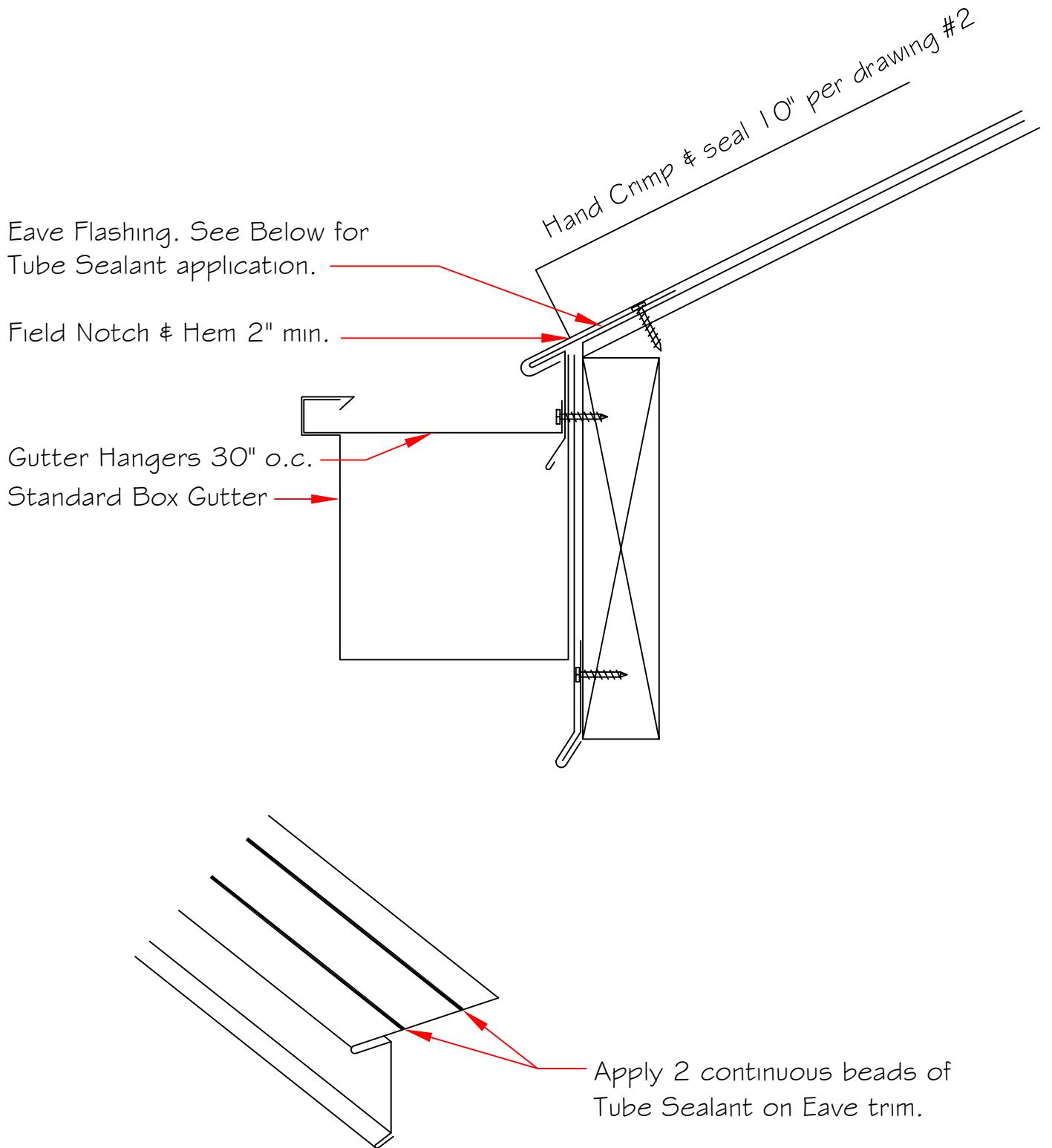
DETAIL: Panel Sealant

SYSTEM: CMP SERIES 2500
DATE: 7-7-05



SCALE:

DRAWING NO: 2



DETAIL: Eave Flashing
with Gutter

SYSTEM: CMP SERIES 2500
DATE: 7-7-05

CMP

SCALE:

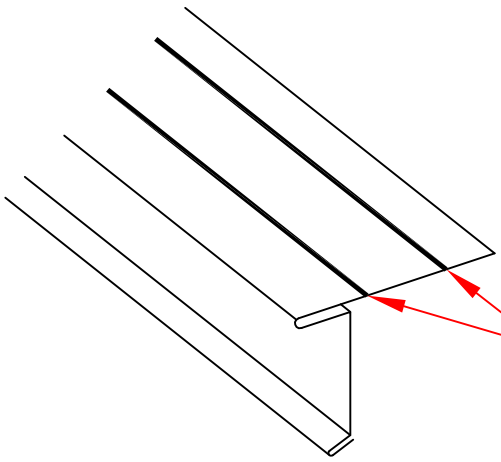
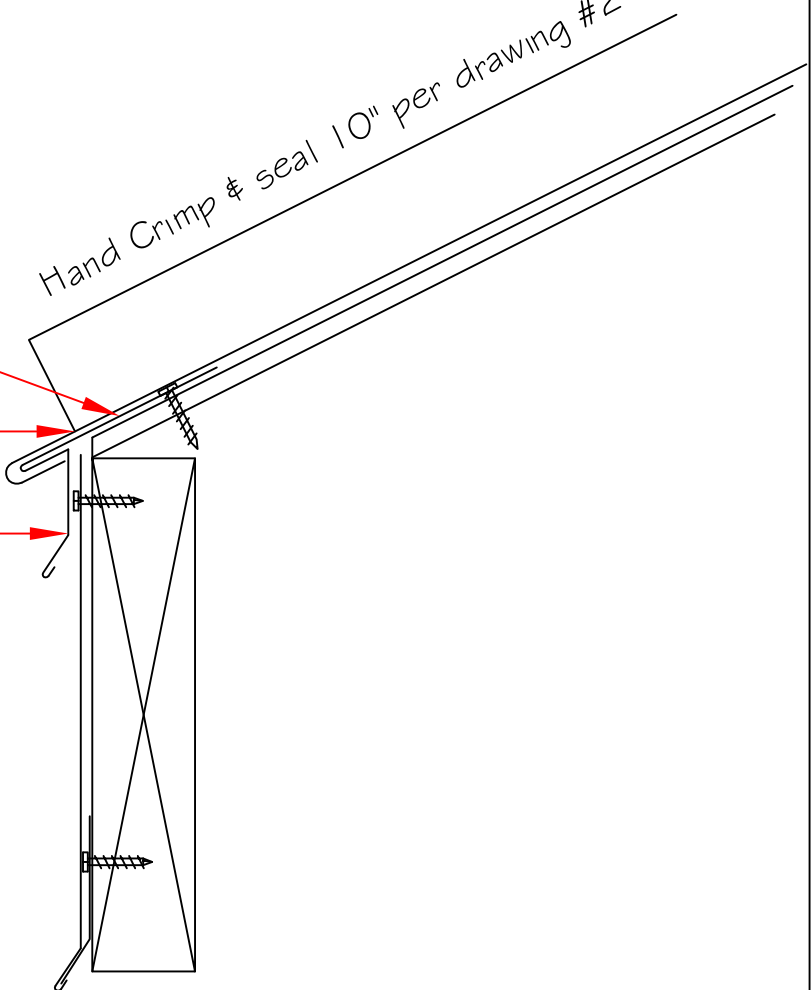
DRAWING NO: 3

Hand Crimp & seal 10" per drawing #2

Eave Flashing. See Below for Tube Sealant application.

Field Notch & Hem 2" min.

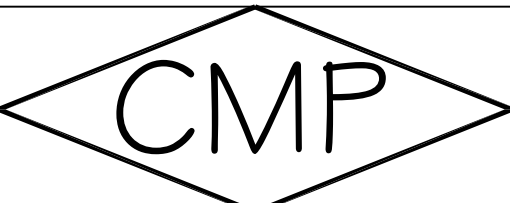
Use cleat if face is over 3"



Apply 2 continuous beads of Tube Sealant on Eave trim.

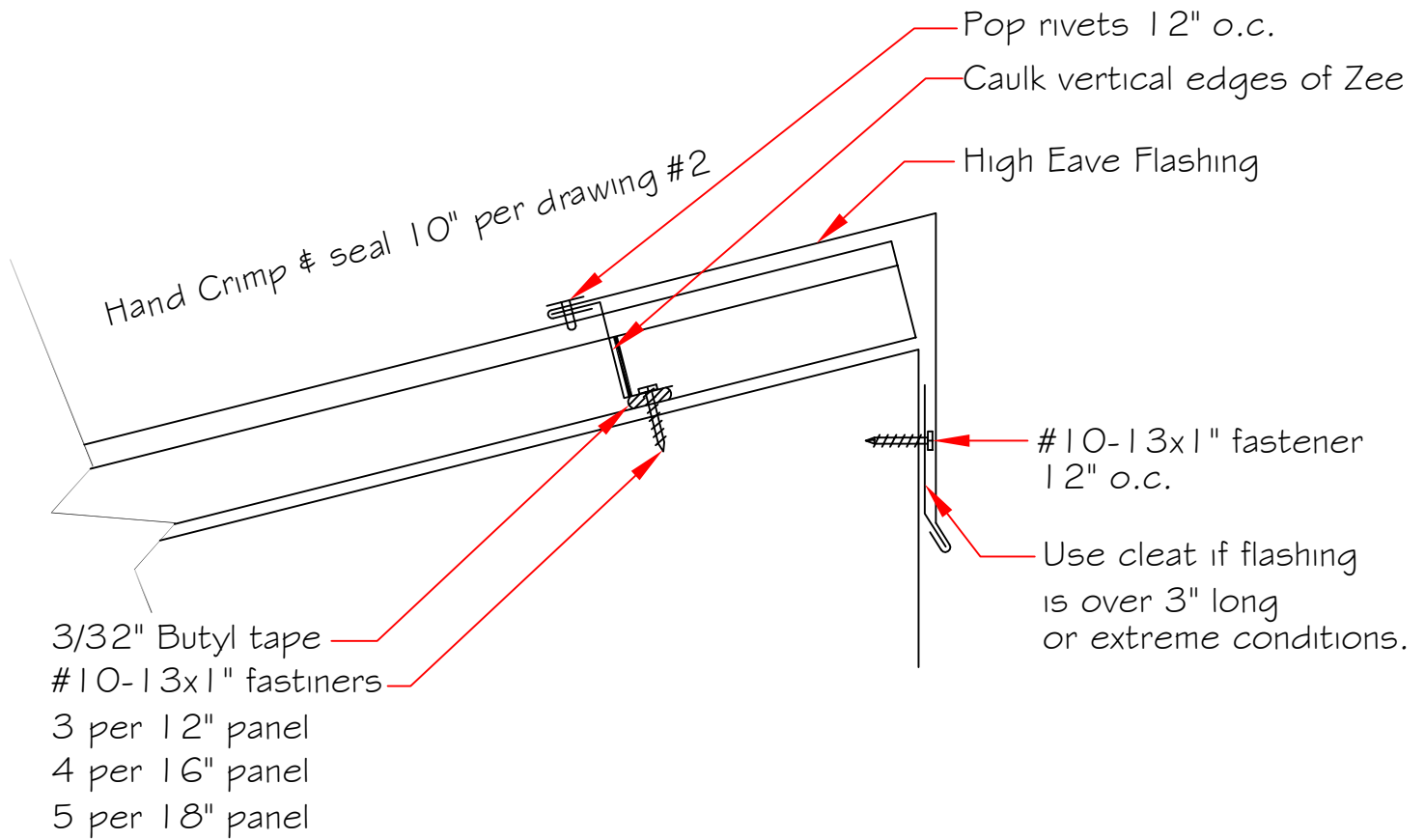
DETAIL: Locking Eave

SYSTEM: CMP SERIES 2500
DATE: 7-7-05



SCALE:

DRAWING NO: 4



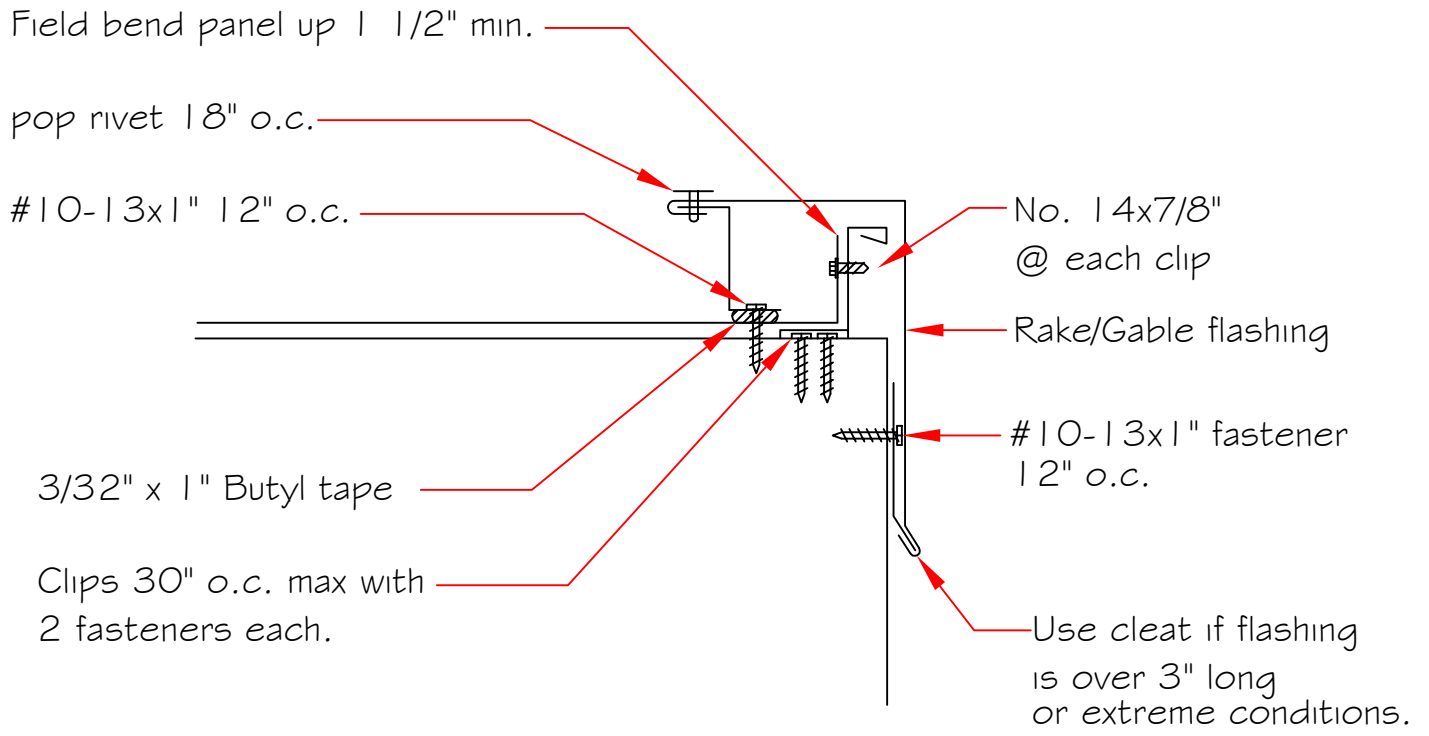
DETAIL: High Eave Flashing

SCALE:

SYSTEM: CMP SERIES 2500
DATE: 7-7-05

CMP

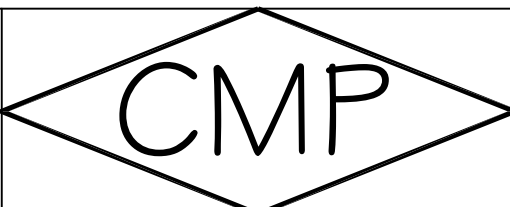
DRAWING NO: 5



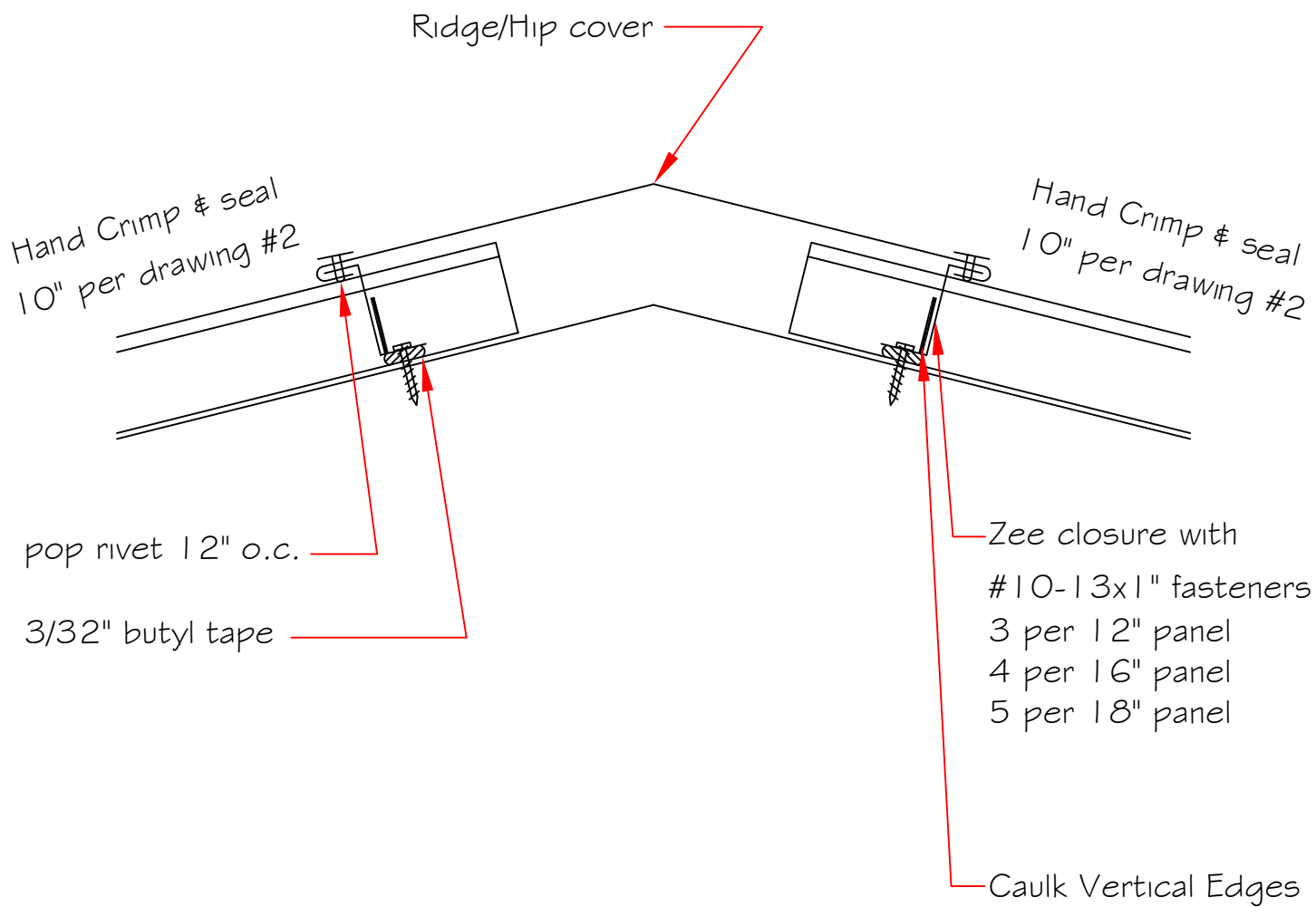
DETAIL: Rake/Gable Flashing

SCALE:

SYSTEM: CMP SERIES 2500
 DATE: 7-7-05



DRAWING NO: 6



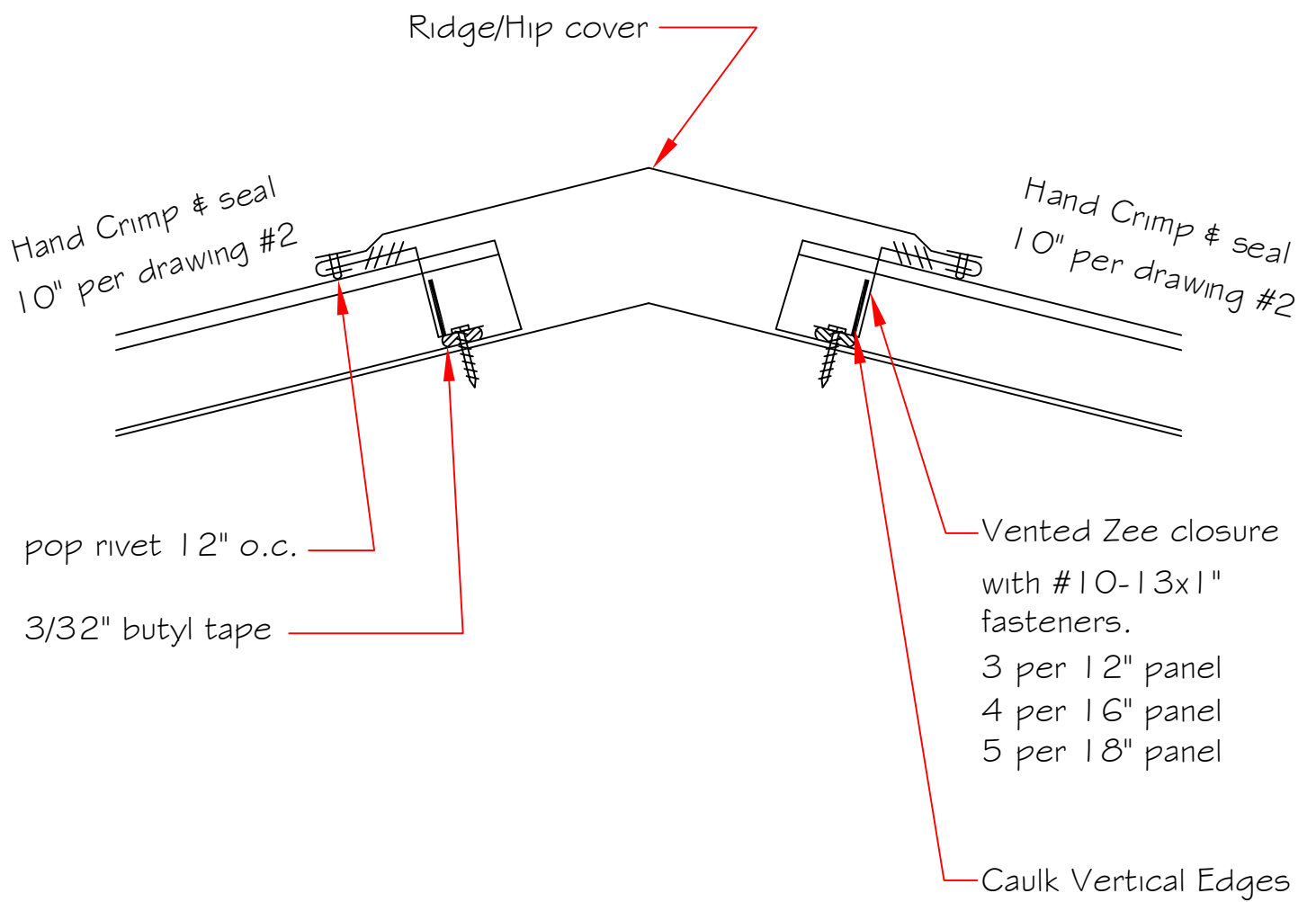
DETAIL: Ridge/Hip Cover

SYSTEM: CMP SERIES 2500
DATE: 7-7-05

CMP

SCALE:

DRAWING NO: 7



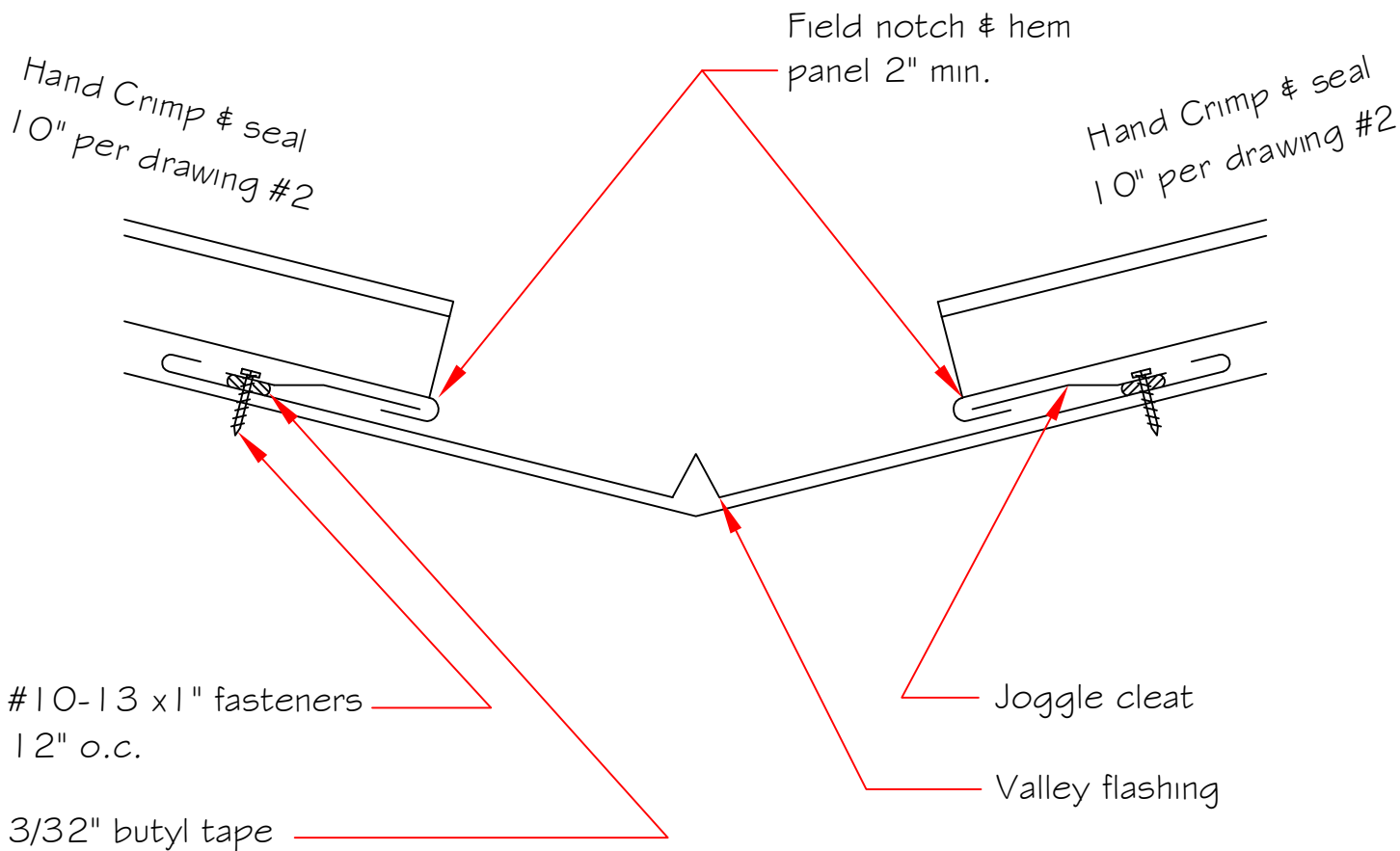
DETAIL: Vented Ridge

SYSTEM: CMP SERIES 2500
DATE: 7-7-05

CMP

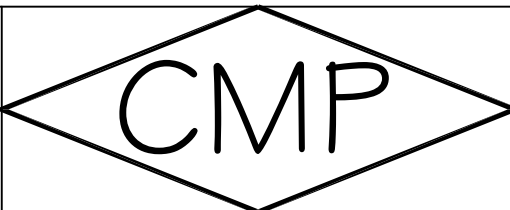
SCALE:

DRAWING NO: 8



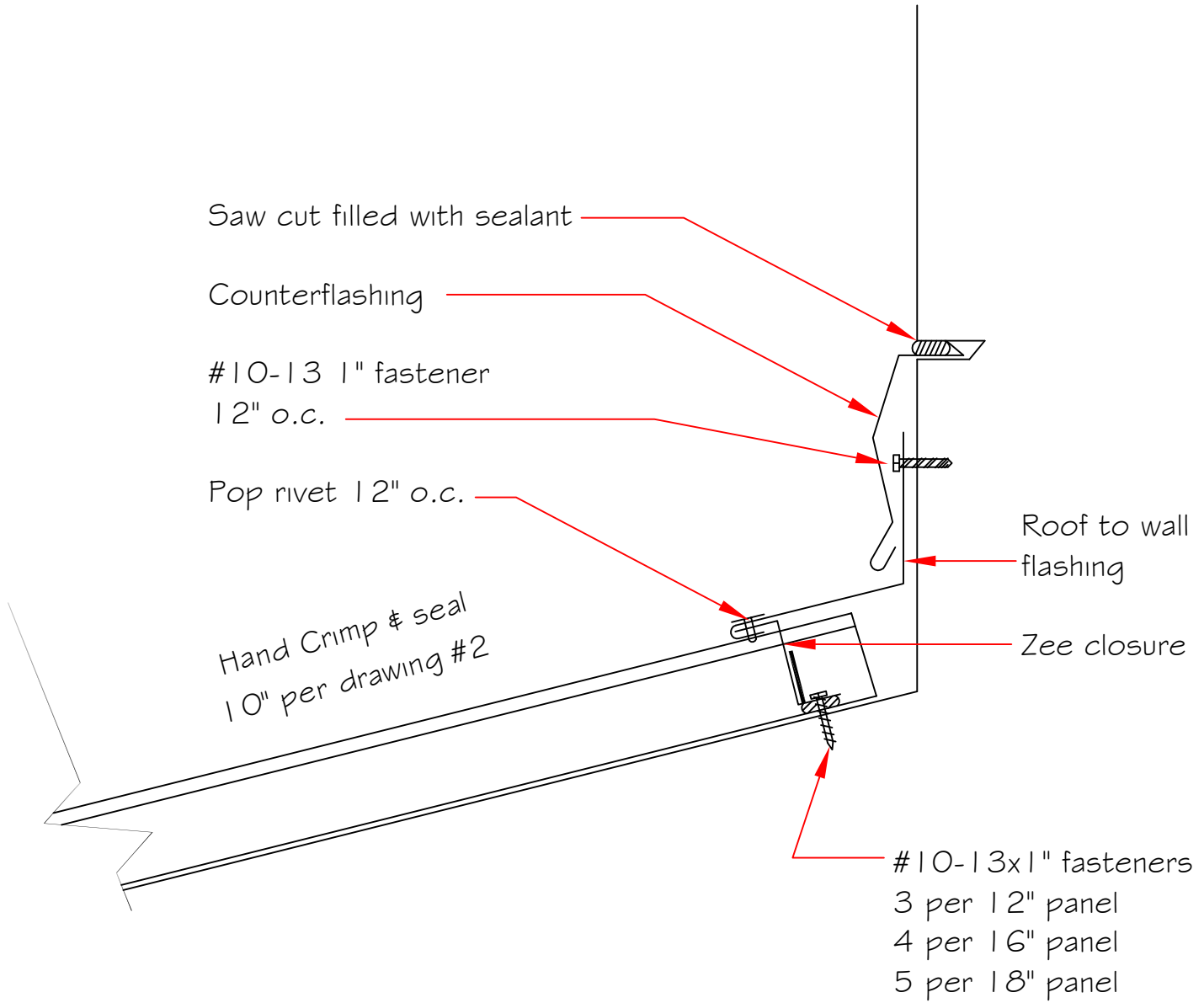
DETAIL: Valley Flashing

SYSTEM: CMP SERIES 2500
DATE: 7-7-05



SCALE:

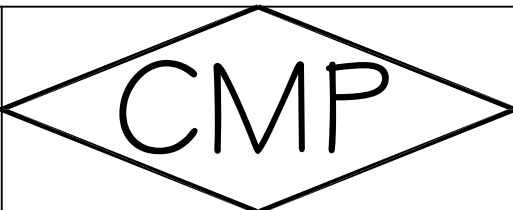
DRAWING NO: 9



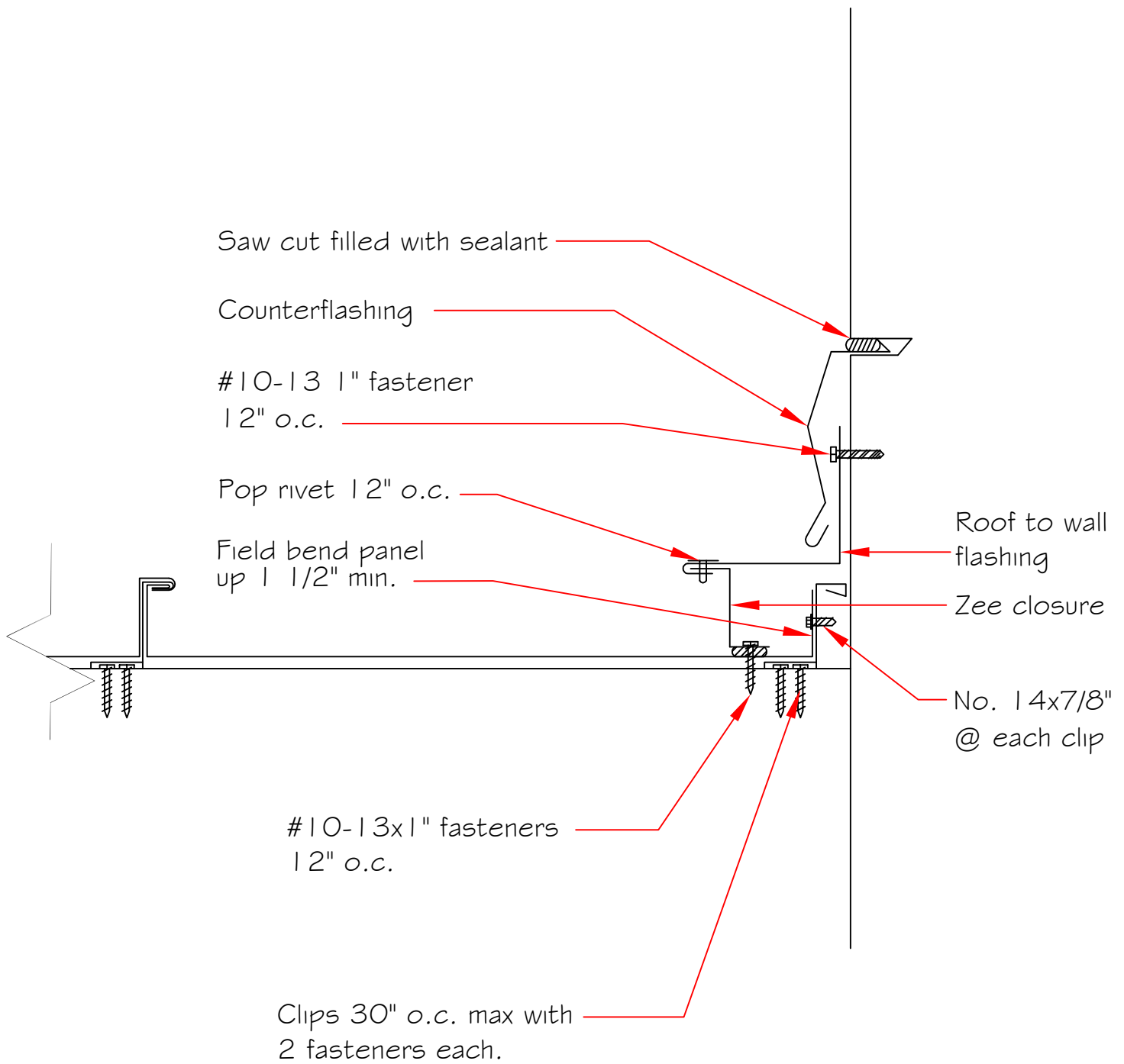
DETAIL: Roof to Wall flashing

SCALE:

SYSTEM: CMP SERIES 2500
DATE: 7-7-05



DRAWING NO: 10



DETAIL: Pitchbreak flashing

SCALE:

SYSTEM: CMP SERIES 2500

DATE: 7-7-05

CMP

DRAWING NO:

11