

Construction Metal Products, Inc.

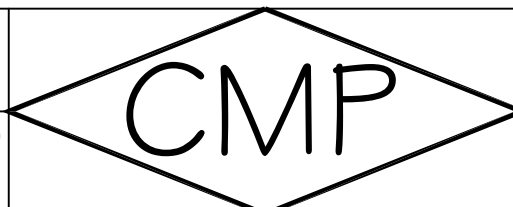
System: CMP Series 2000

Drawings

1. Panel & Clip Profile
2. Panel Sealant
3. Eave Flashing with Gutter
4. Locking Eave
5. High Eave
6. Gable End
7. Hip/Ridge
8. Vented Ridge
9. Valley
10. Roof To Wall
11. Pitchbreak Flashing

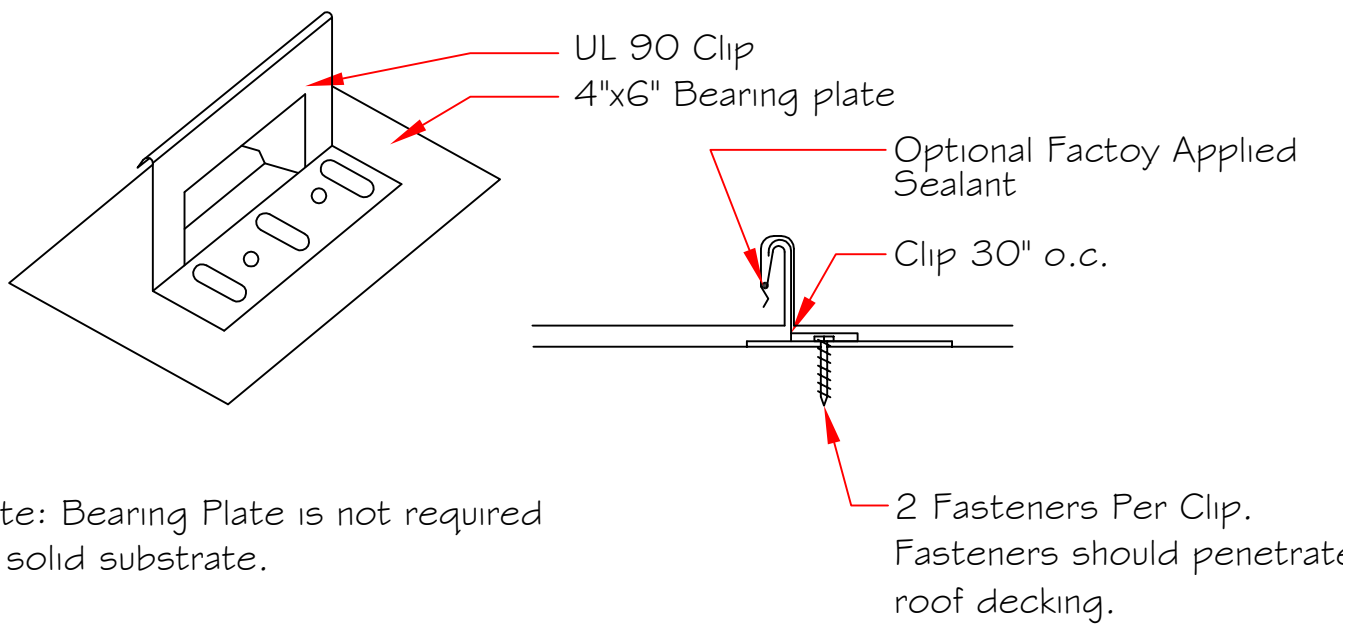
DETAIL:

SYSTEM: CMP SERIES 2000
DATE: 7-7-05

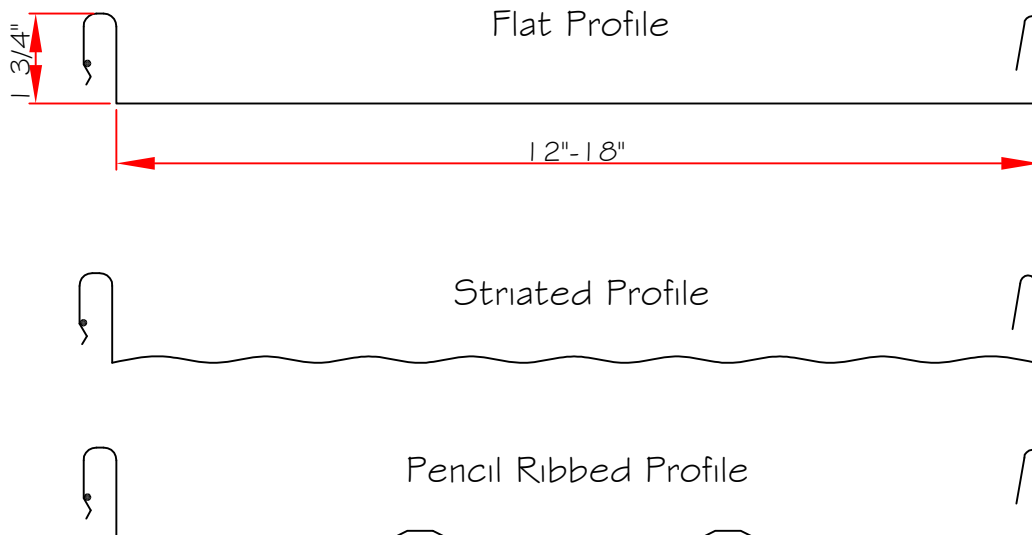


SCALE:

DRAWING NO:



Note: Bearing Plate is not required on solid substrate.



Note: Striated Profile is Standard

DETAIL: Panel & Clip Profile

SCALE:

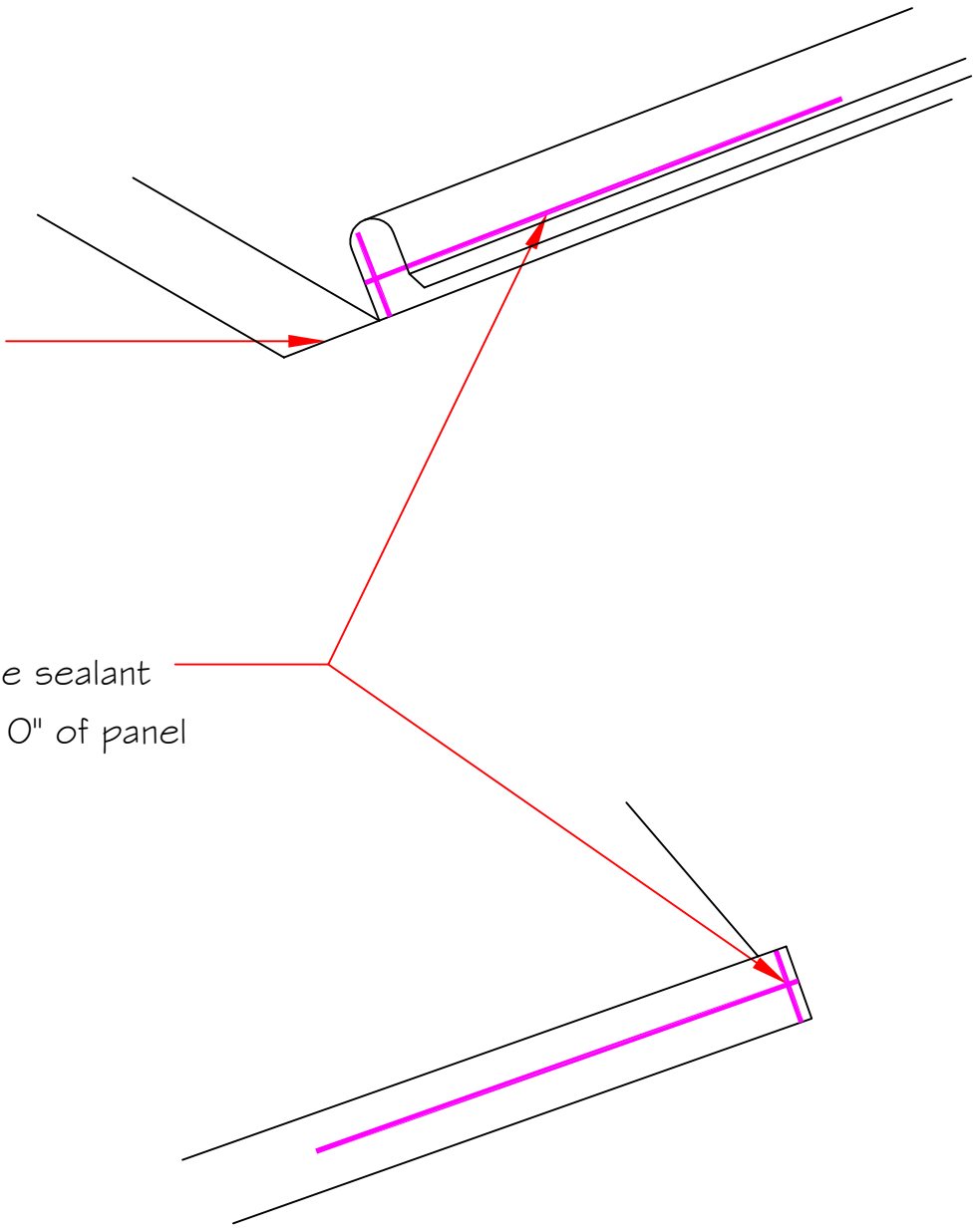
SYSTEM: CMP SERIES 2000
DATE: 7-7-05

CMP

DRAWING NO: 1

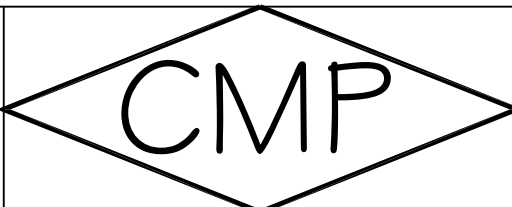
Field notch & hem
under eave flashing.

Apply tube sealant
for first 10" of panel



DETAIL: Panel Sealant

SYSTEM: CMP SERIES 2000
DATE: 7-7-05



SCALE:

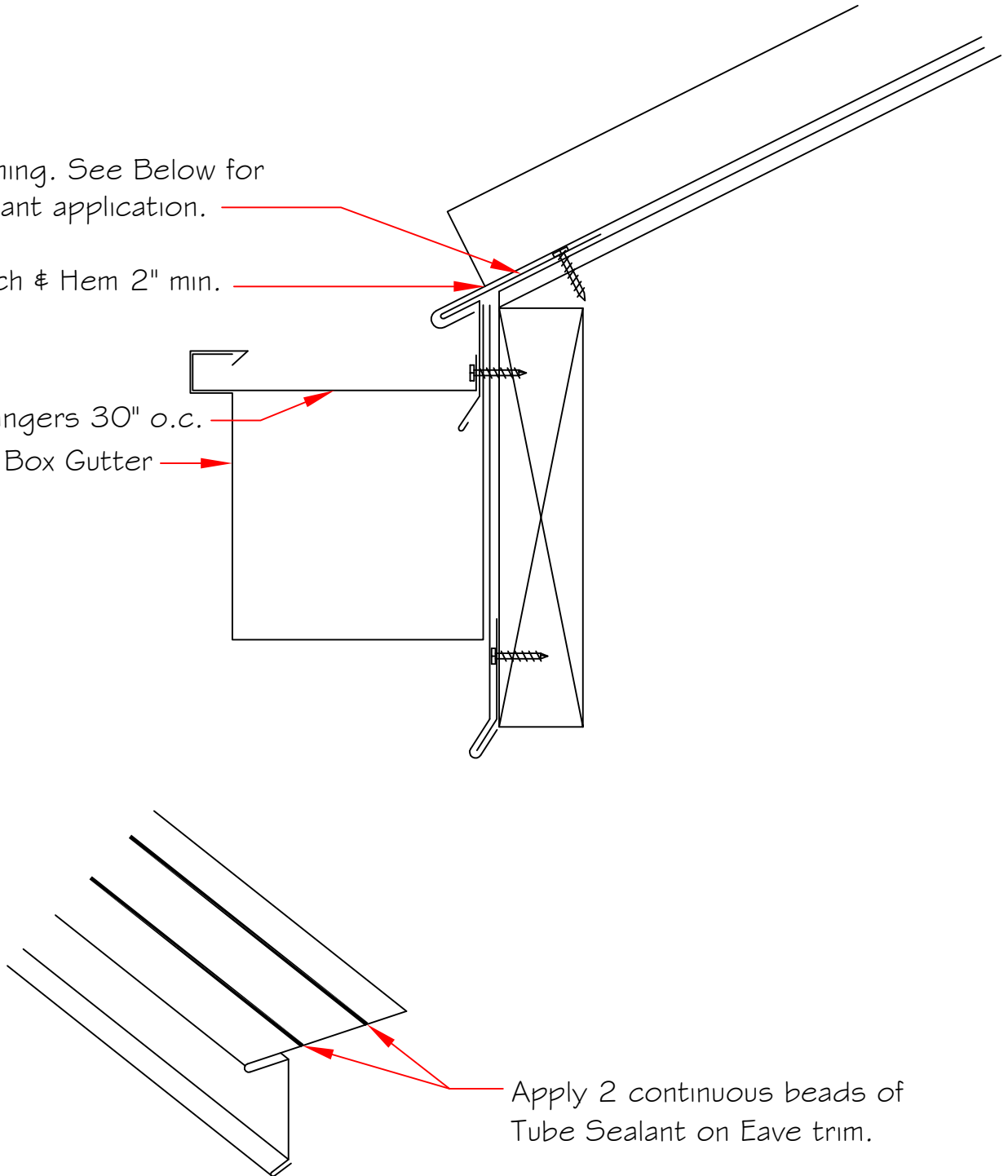
DRAWING NO: 2

Eave Flashing. See Below for
Tube Sealant application.

Field Notch & Hem 2" min.

Gutter Hangers 30" o.c.

Standard Box Gutter



Apply 2 continuous beads of
Tube Sealant on Eave trim.

DETAIL: Eave Flashing
with Gutter

SYSTEM: CMP SERIES 2000
DATE: 7-7-05

CMP

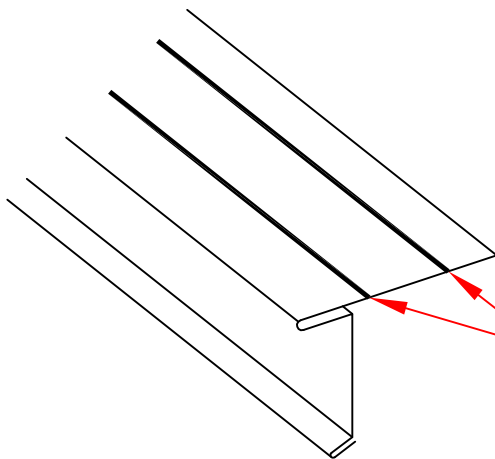
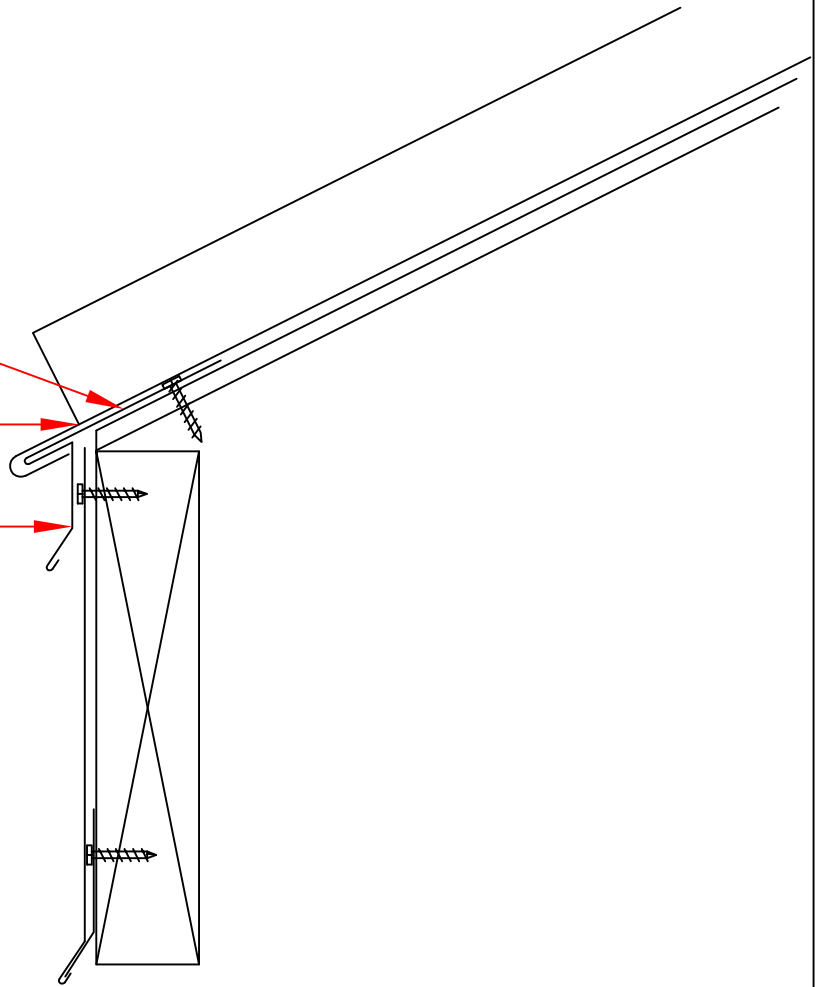
SCALE:

DRAWING NO: 3

Eave Flashing. See Below for
Tube Sealant application.

Field Notch & Hem 2" min.

Use cleat if face is over 3"



Apply 2 continuous beads of
Tube Sealant on Eave trim.

DETAIL: Locking Eave

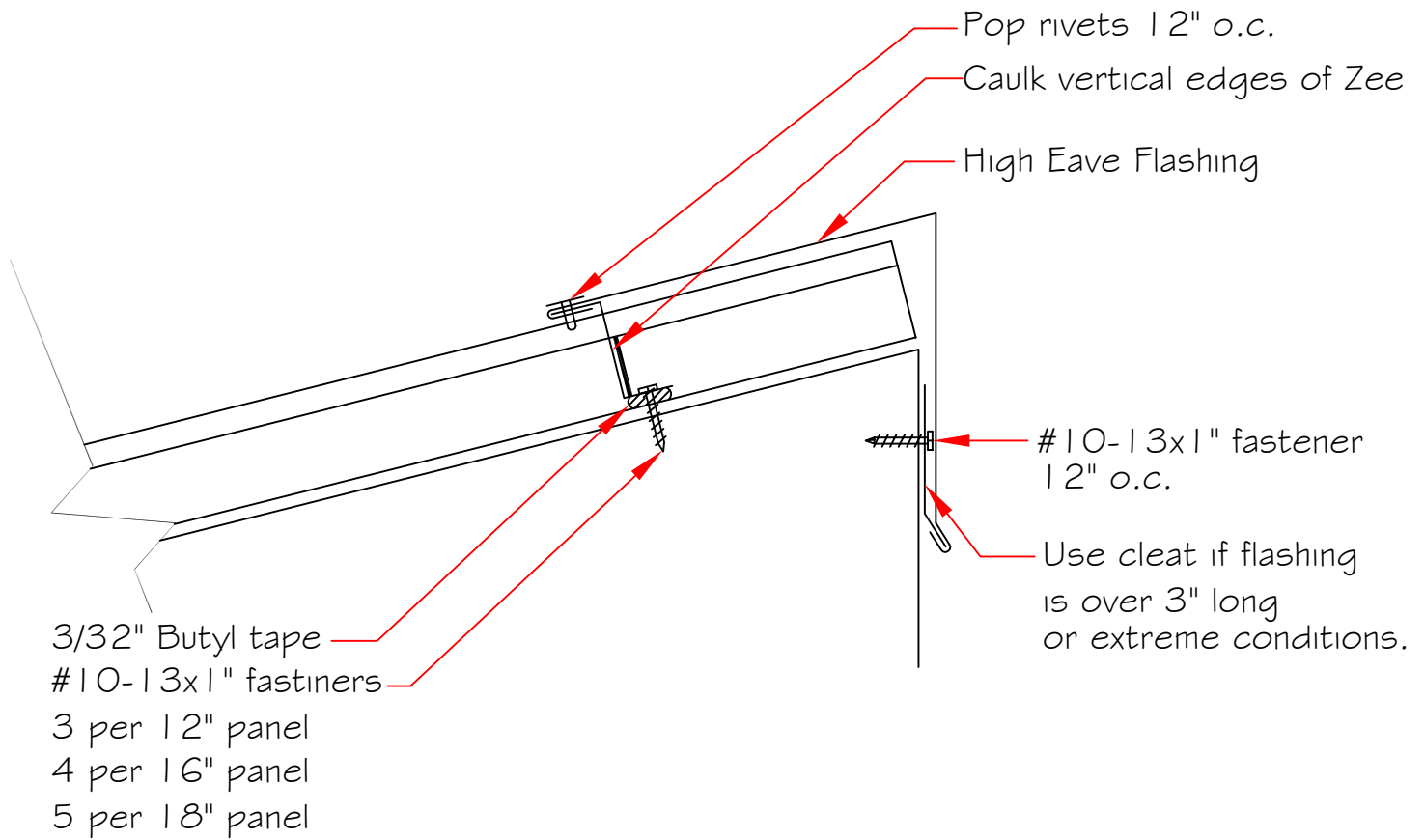
SYSTEM: CMP SERIES 2000
DATE: 7-7-05

CMP

SCALE:

DRAWING NO:

4



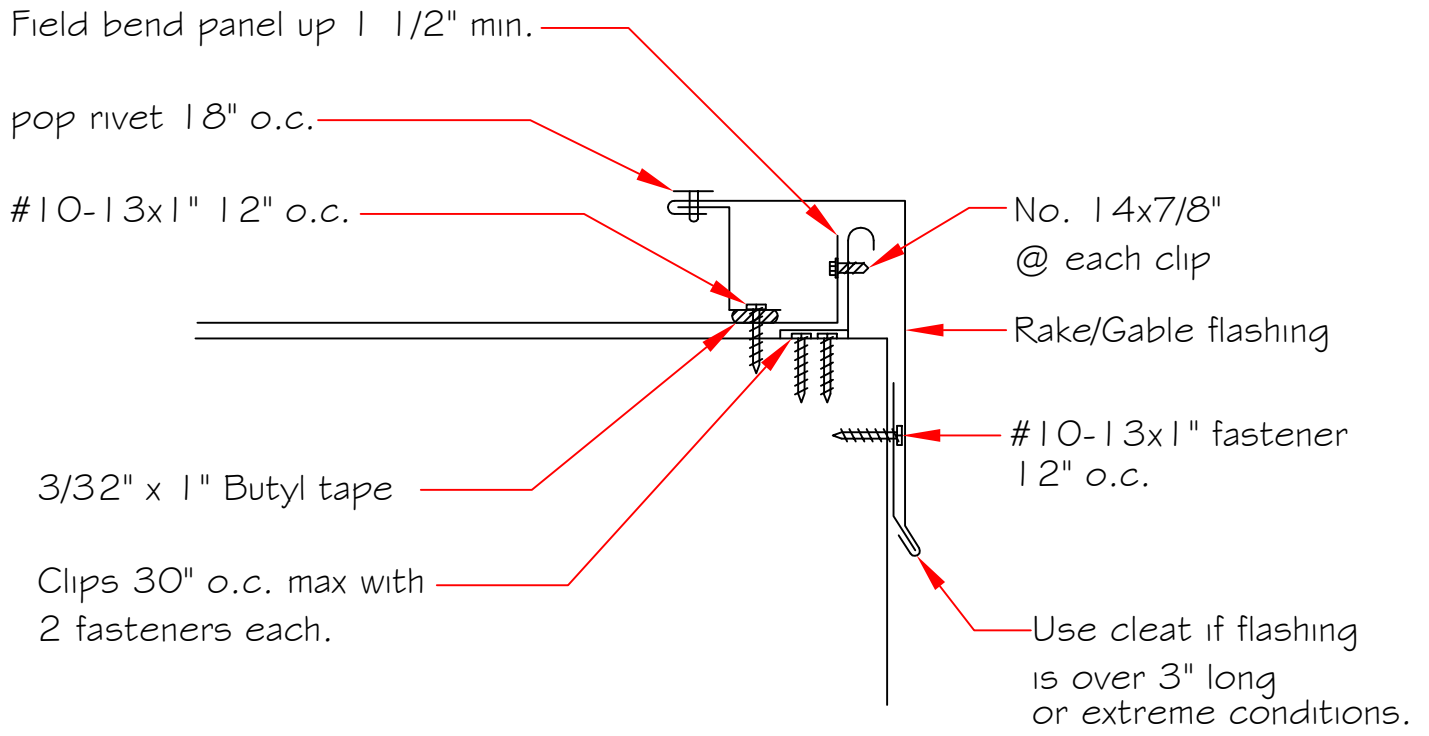
DETAIL: High Eave Flashing

SCALE:

SYSTEM: CMP SERIES 2000
DATE: 7-7-05

CMP

DRAWING NO: 5



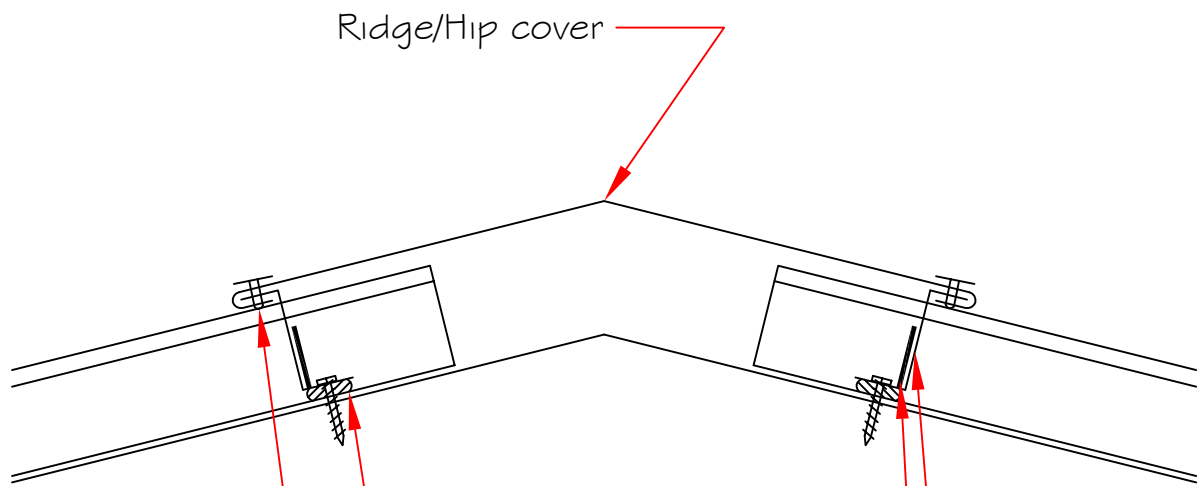
DETAIL: Rake/Gable Flashing

SCALE:

SYSTEM: CMP SERIES 2000
 DATE: 7-7-05



DRAWING NO: 6



pop rivet 12" o.c.

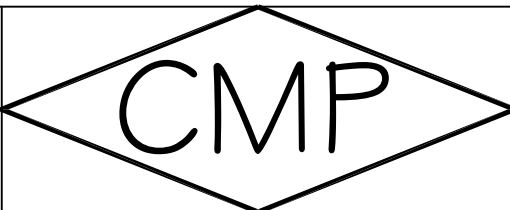
3/32" butyl tape

Zee closure with
 #10-13x1" fasteners
 3 per 12" panel
 4 per 16" panel
 5 per 18" panel

Caulk Vertical Edges

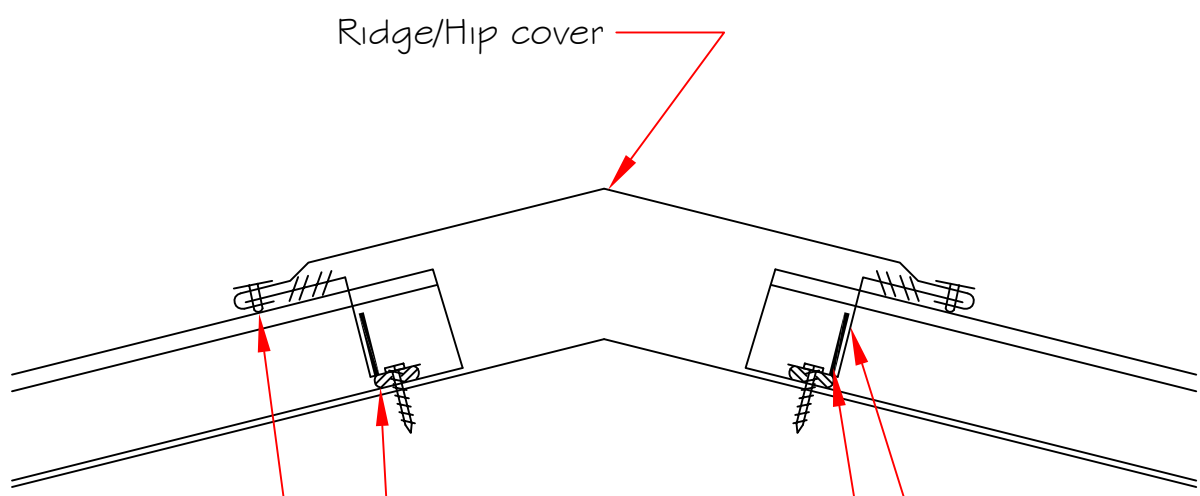
DETAIL: Ridge/Hip Cover

SYSTEM: CMP SERIES 2000
 DATE: 7-7-05



SCALE:

DRAWING NO: 7



Ridge/Hip cover

pop rivet 12" o.c.

3/32" butyl tape

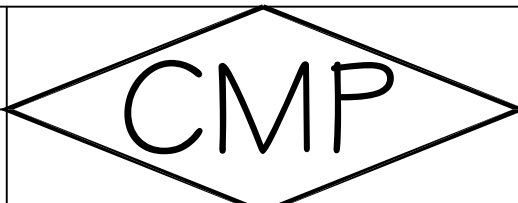
Vented Zee closure
with #10-13x1"
fasteners.

3 per 12" panel
4 per 16" panel
5 per 18" panel

Caulk Vertical Edges

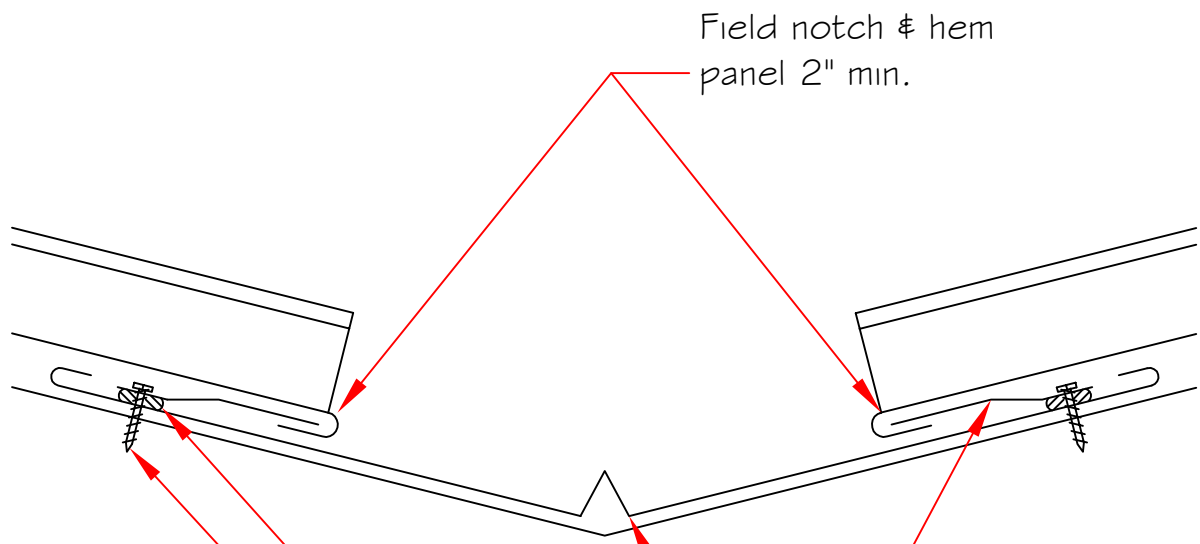
DETAIL: Vented Ridge

SYSTEM: CMP SERIES 2000
DATE: 7-7-05



SCALE:

DRAWING NO: 8



Field notch & hem
panel 2" min.

#10-13 x 1" fasteners
12" o.c.

3/32" butyl tape

Joggle cleat

Valley flashing

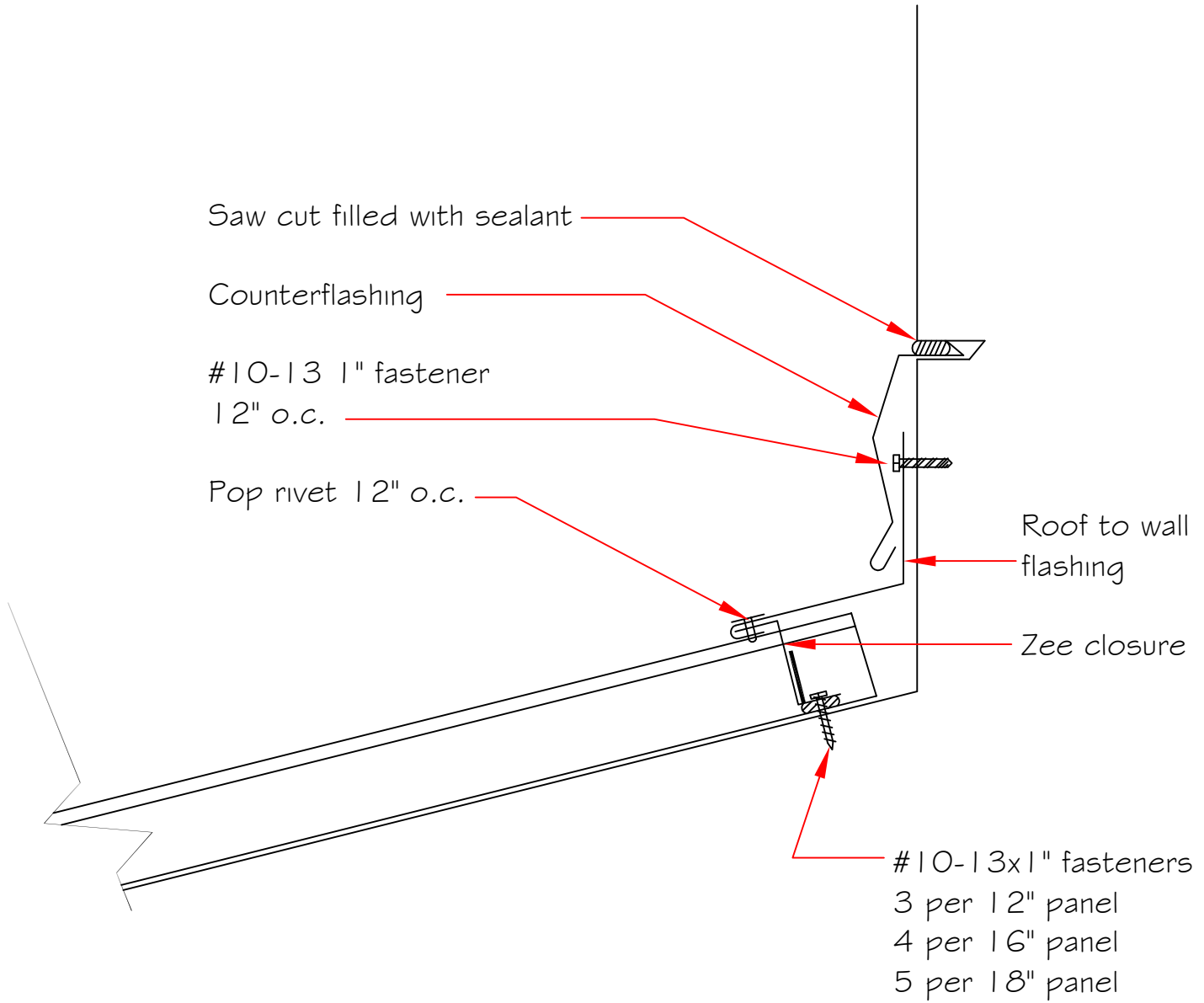
DETAIL: Valley Flashing

SYSTEM: CMP SERIES 2000
DATE: 7-7-05

CMP

SCALE:

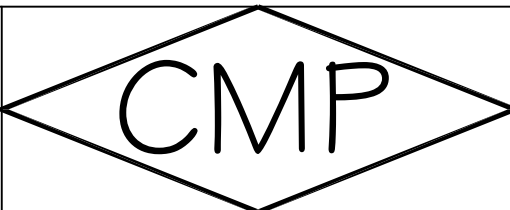
DRAWING NO: 9



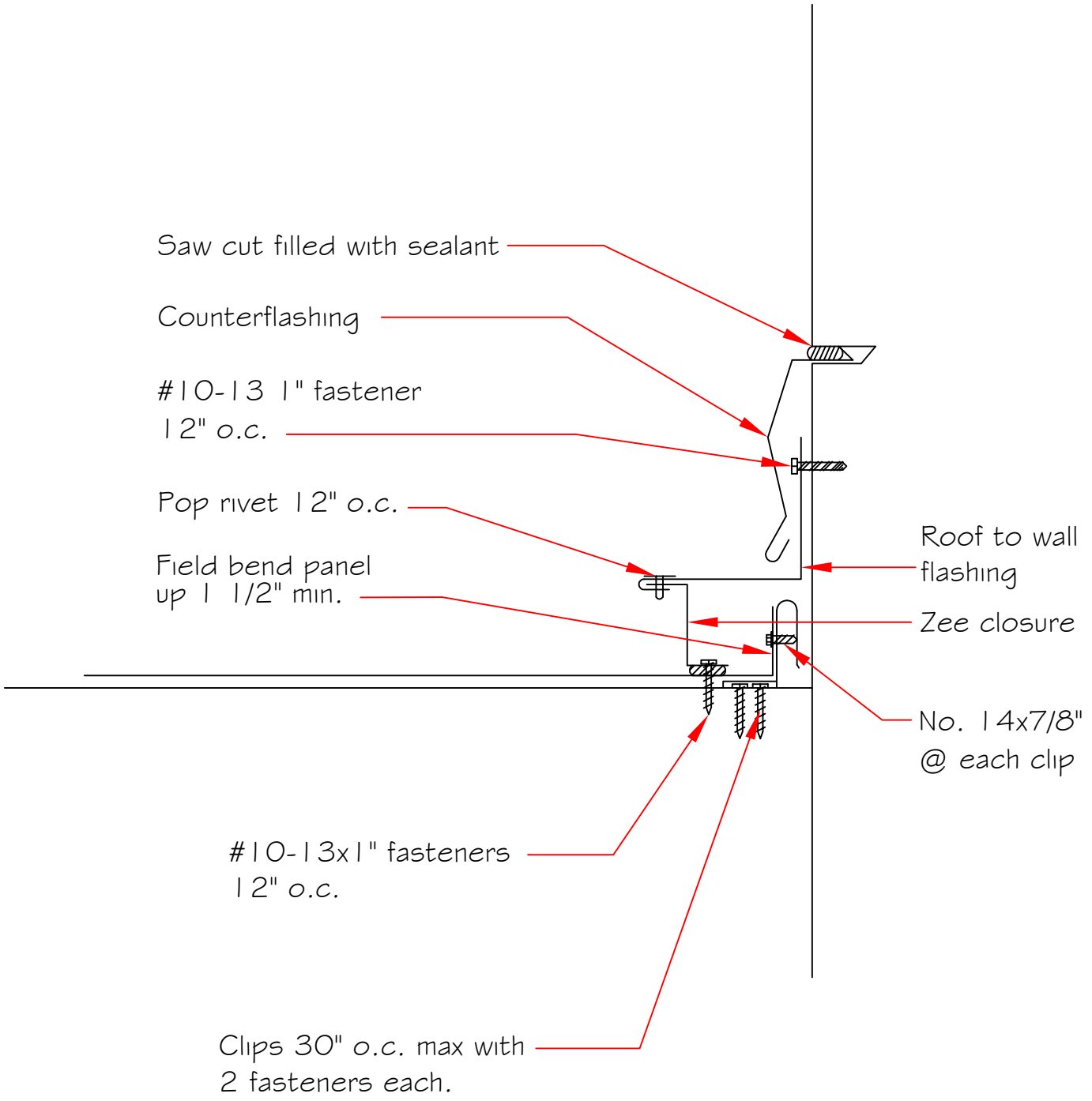
DETAIL: Roof to Wall flashing

SCALE:

SYSTEM: CMP SERIES 2000
DATE: 7-7-05



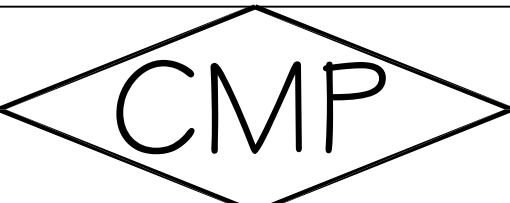
DRAWING NO: 10



DETAIL: Pitchbreak flashing

SCALE:

SYSTEM: CMP SERIES 2000
DATE: 7-7-05



DRAWING NO: 11