

# Construction Metal Products, Inc.

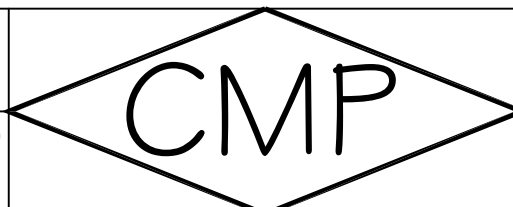
## System: CMP Series 1500

### Drawings

1. Panel & Clip Profile
2. Panel Sealant
3. Eave Flashing with Gutter
4. Locking Eave
5. High Eave
6. Gable End
7. Hip/Ridge
8. Vented Ridge
9. Valley
10. Roof To Wall
11. Pitchbreak Flashing

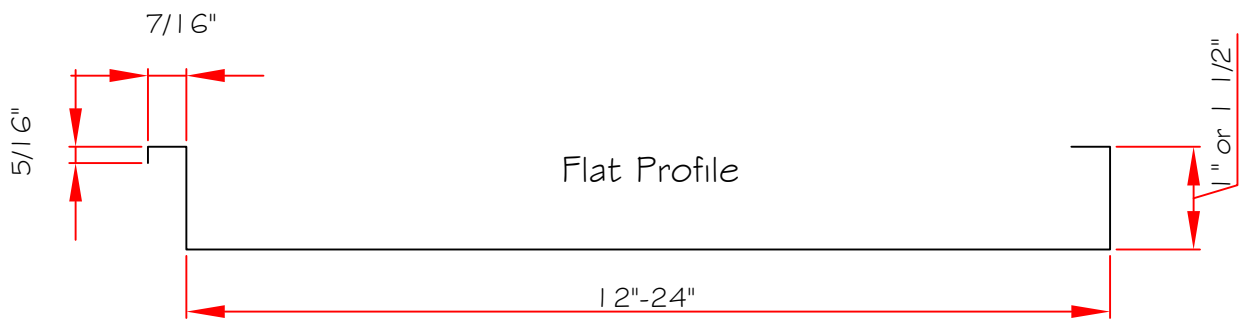
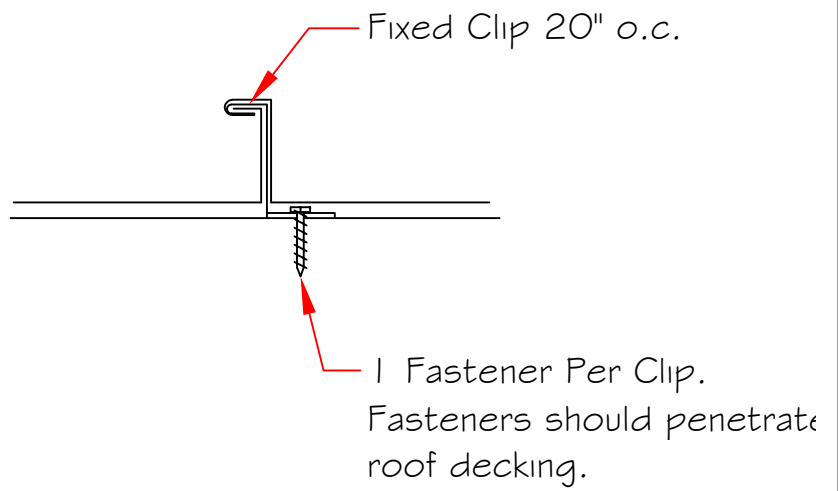
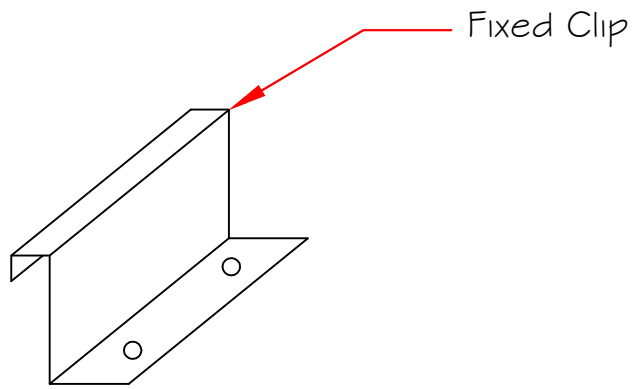
DETAIL:

SYSTEM: CMP SERIES 1500  
DATE: 7-7-05



SCALE:

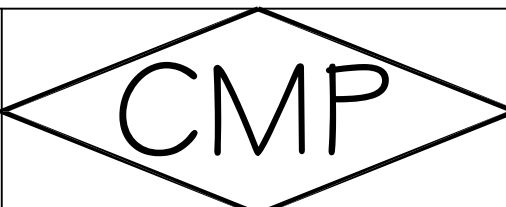
DRAWING NO:



Note: Striated Profile is Standard

DETAIL: Panel & Clip Profile

SYSTEM: CMP SERIES 1500  
DATE: 7-7-05

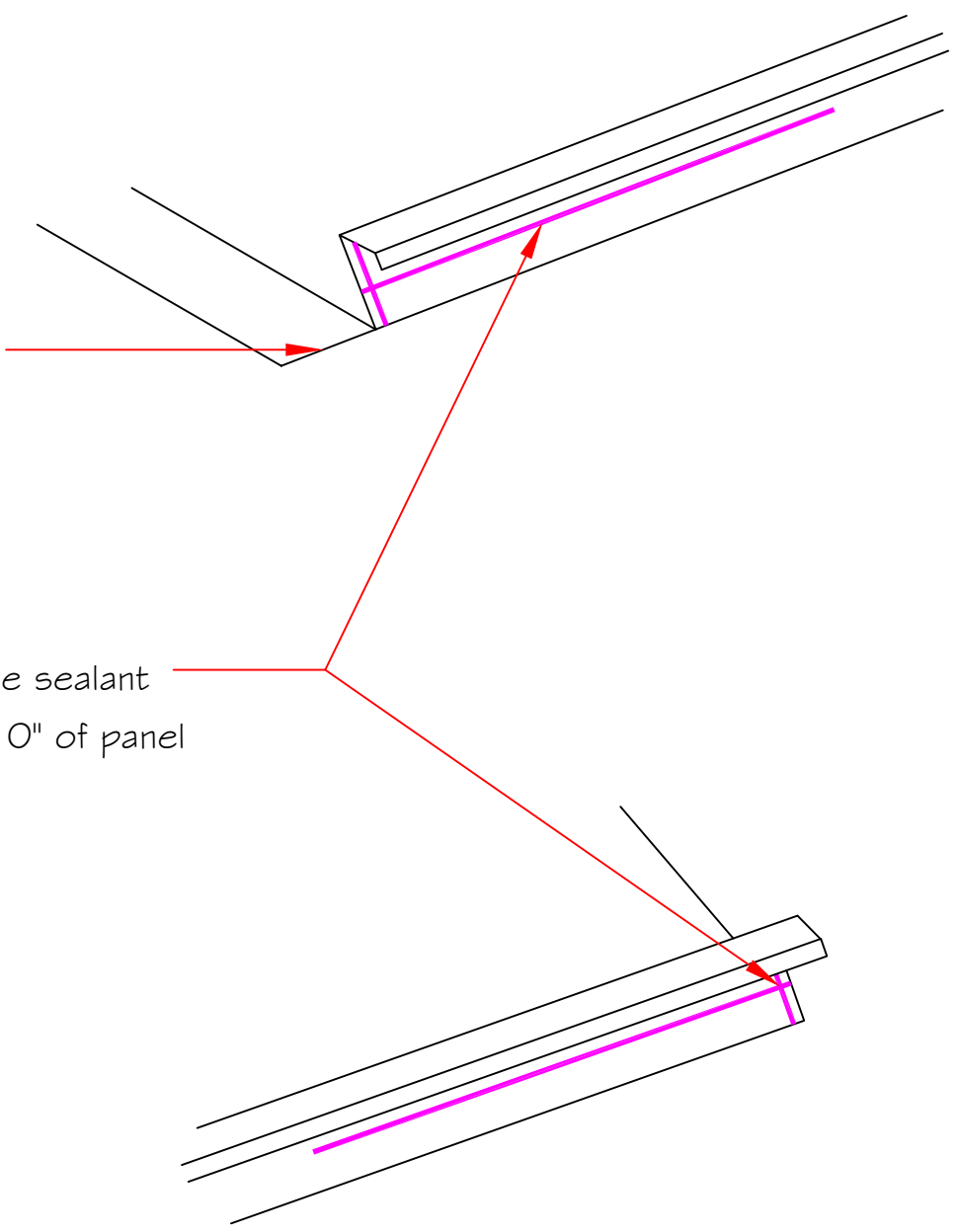


SCALE:

DRAWING NO: 1

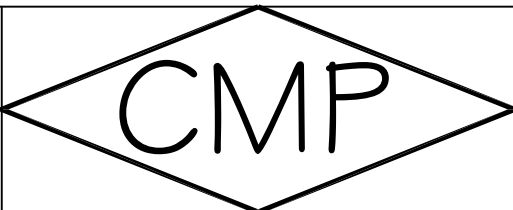
Field notch & hem  
under eave flashing.

Apply tube sealant  
for first 10" of panel



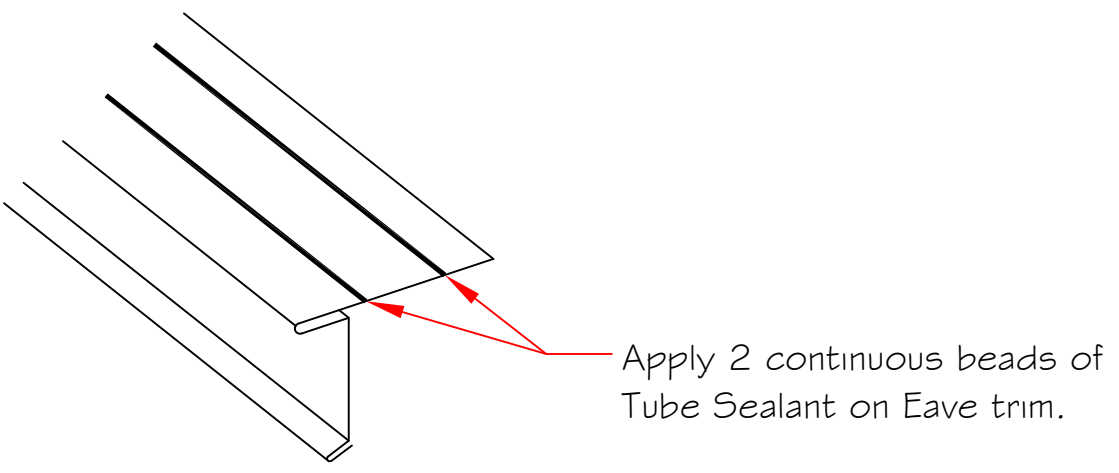
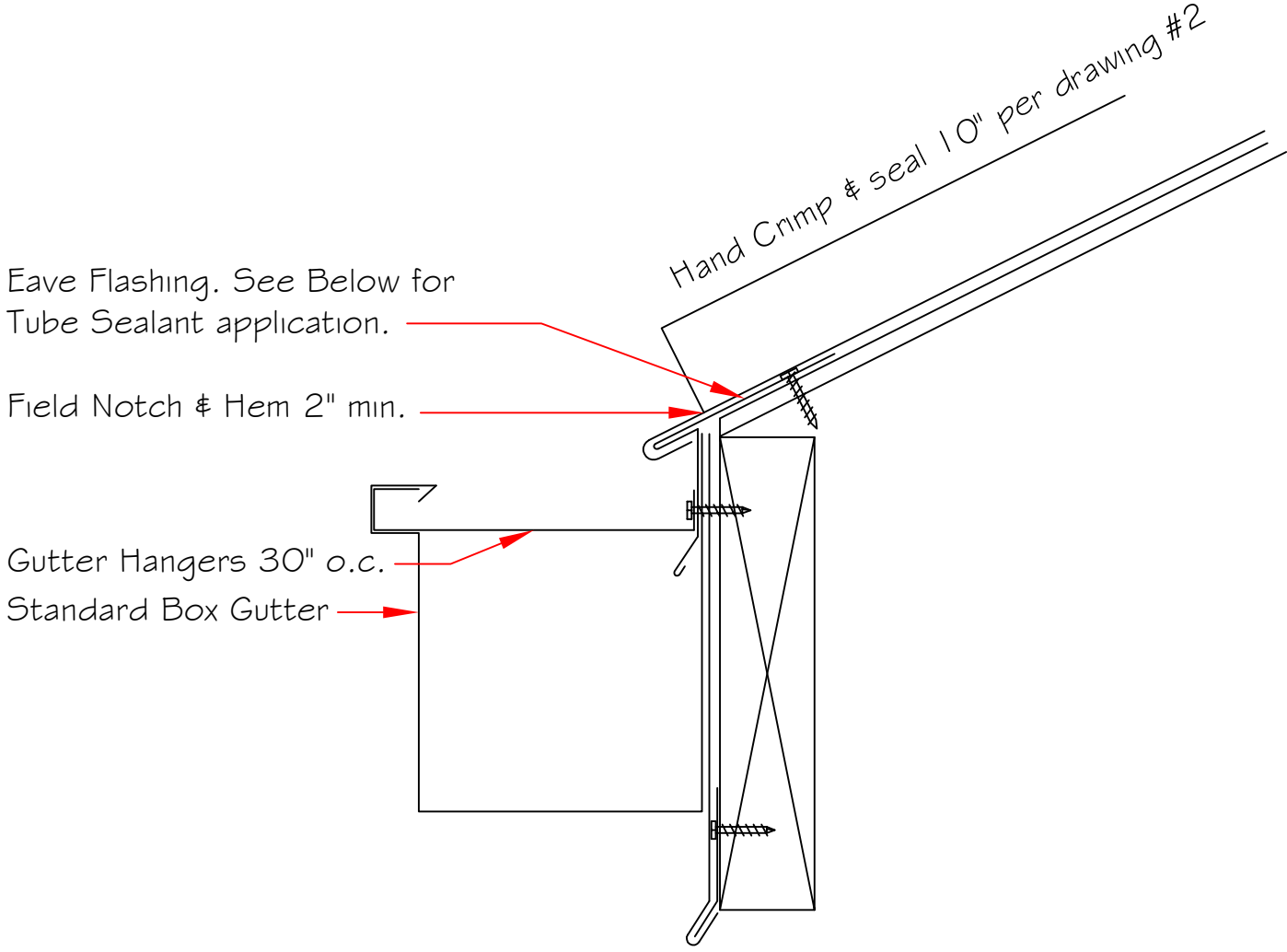
DETAIL: Panel Sealant

SYSTEM: CMP SERIES 1500  
DATE: 7-7-05



SCALE:

DRAWING NO: 2



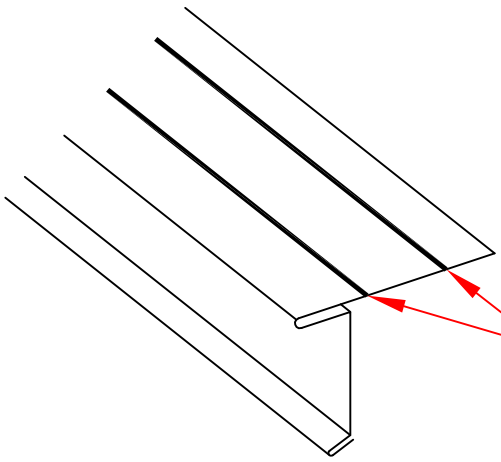
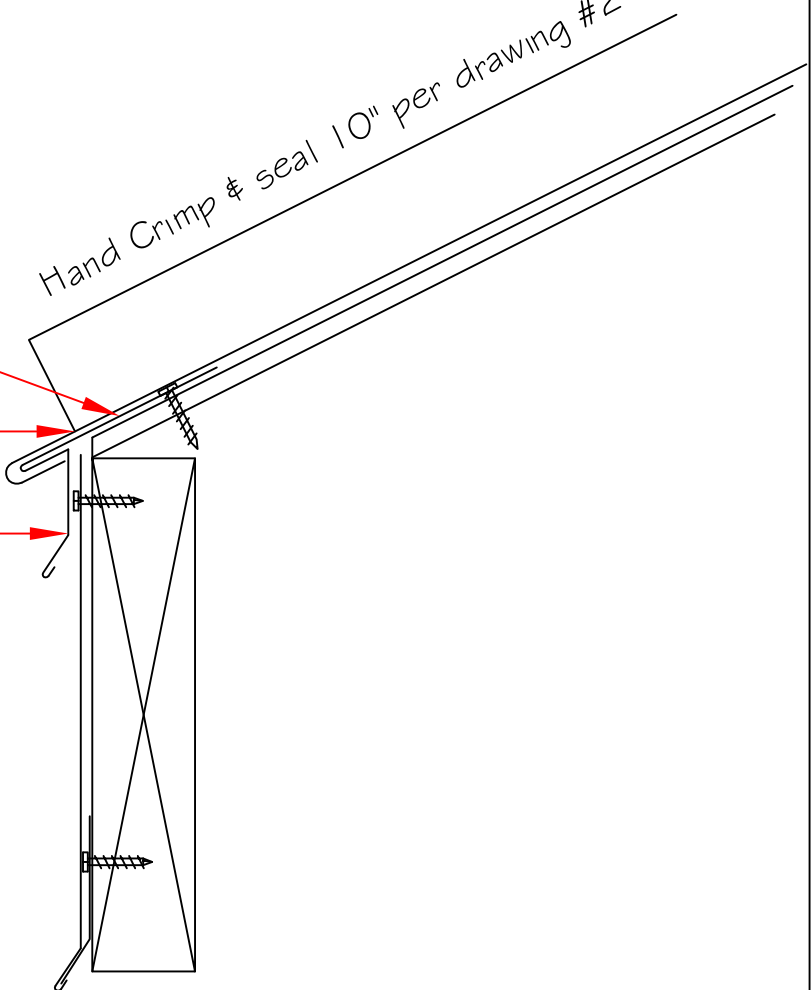
<p>DETAIL: Eave Flashing with Gutter</p>		<p>SCALE:</p>
<p>SYSTEM: CMP SERIES 1500 DATE: 7-7-05</p>		<p>DRAWING NO: 3</p>

Hand Crimp & seal 10" per drawing #2

Eave Flashing. See Below for Tube Sealant application.

Field Notch & Hem 2" min.

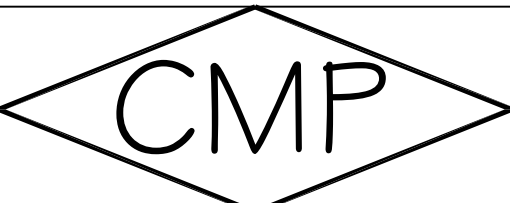
Use cleat if face is over 3"



Apply 2 continuous beads of Tube Sealant on Eave trim.

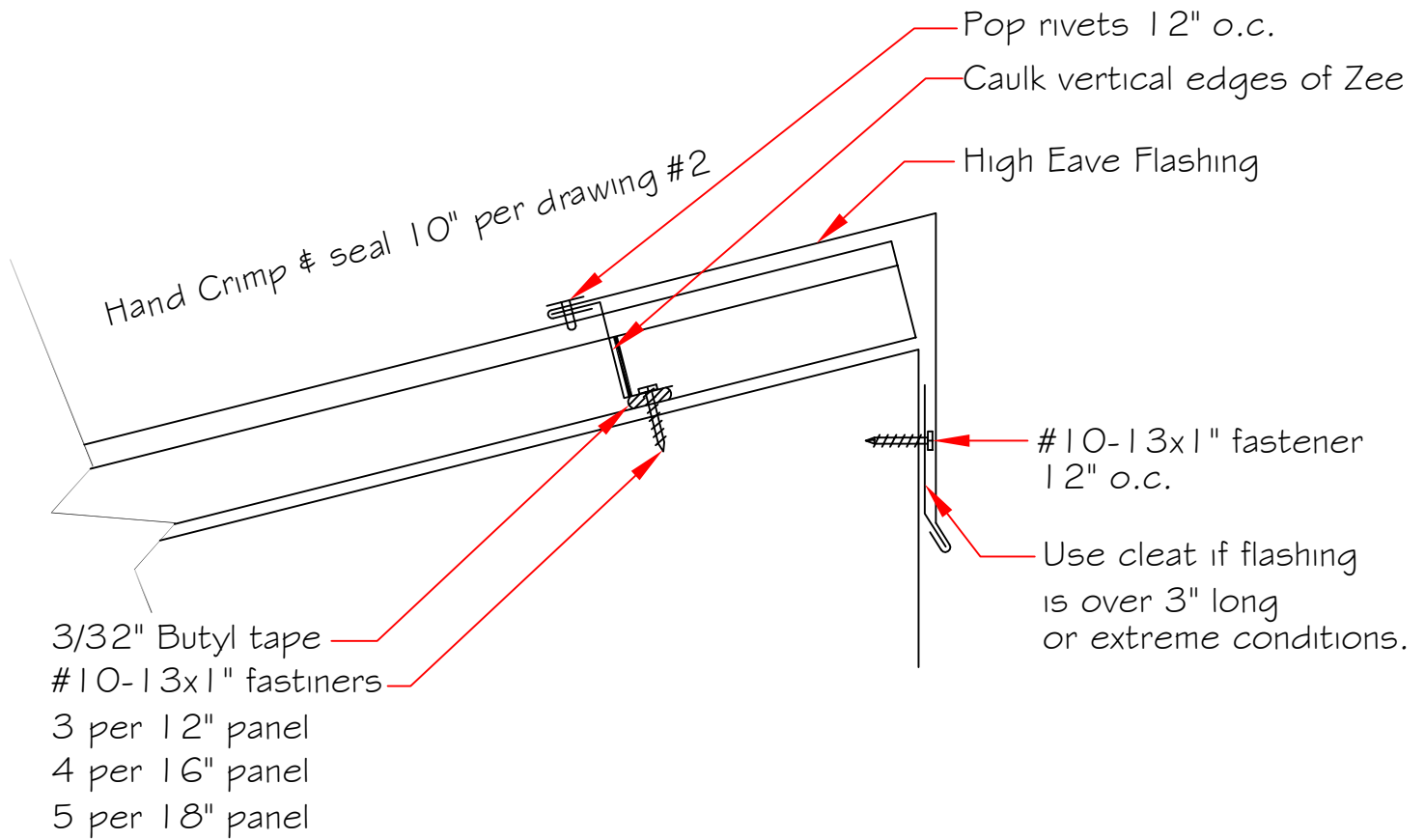
DETAIL: Locking Eave

SYSTEM: CMP SERIES 1500  
DATE: 7-7-05



SCALE:

DRAWING NO: 4



DETAIL: High Eave Flashing

SCALE:

SYSTEM: CMP SERIES 1500  
DATE: 7-7-05

CMP

DRAWING NO: 5

Field bend panel up 1" min.

pop rivet 18" o.c.

#10-13x1" 12" o.c.

3/32" x 1" Butyl tape

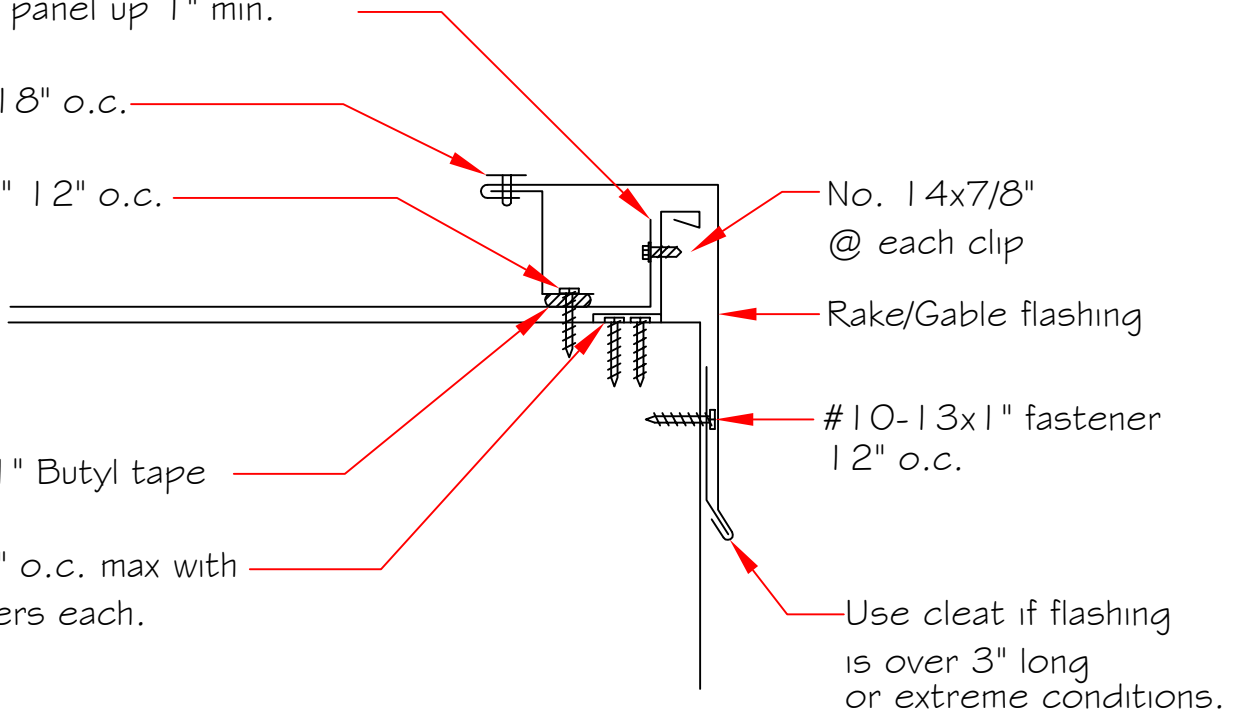
Clips 30" o.c. max with  
2 fasteners each.

No. 14x7/8"  
@ each clip

Rake/Gable flashing

#10-13x1" fastener  
12" o.c.

Use cleat if flashing  
is over 3" long  
or extreme conditions.



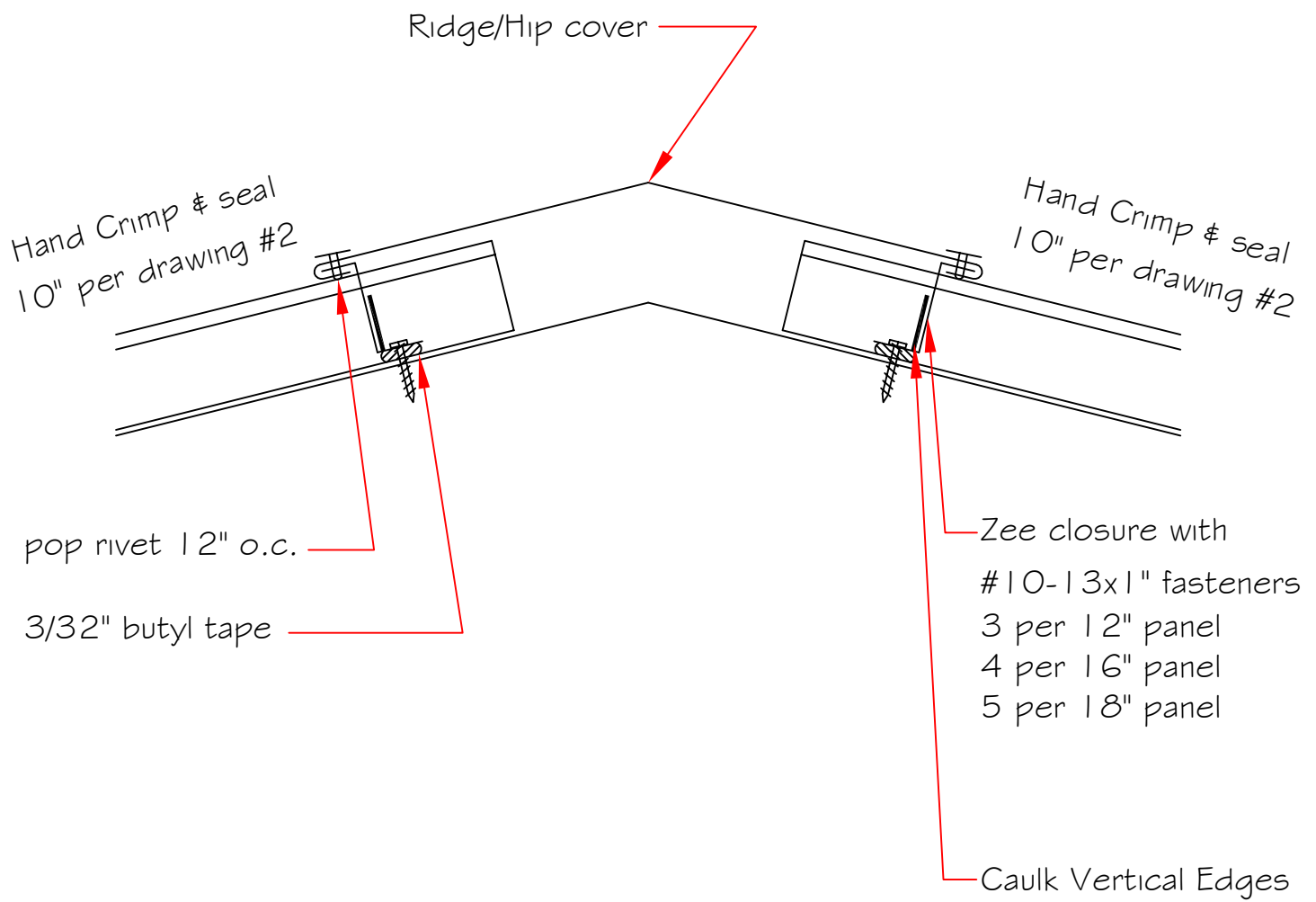
DETAIL: Rake/Gable Flashing

SCALE:

SYSTEM: CMP SERIES 1500  
DATE: 7-7-05

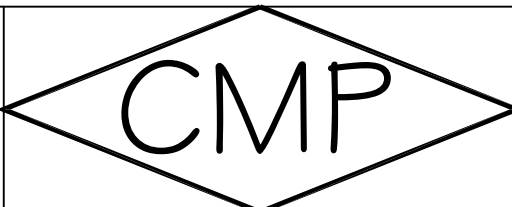
CMP

DRAWING NO: 6



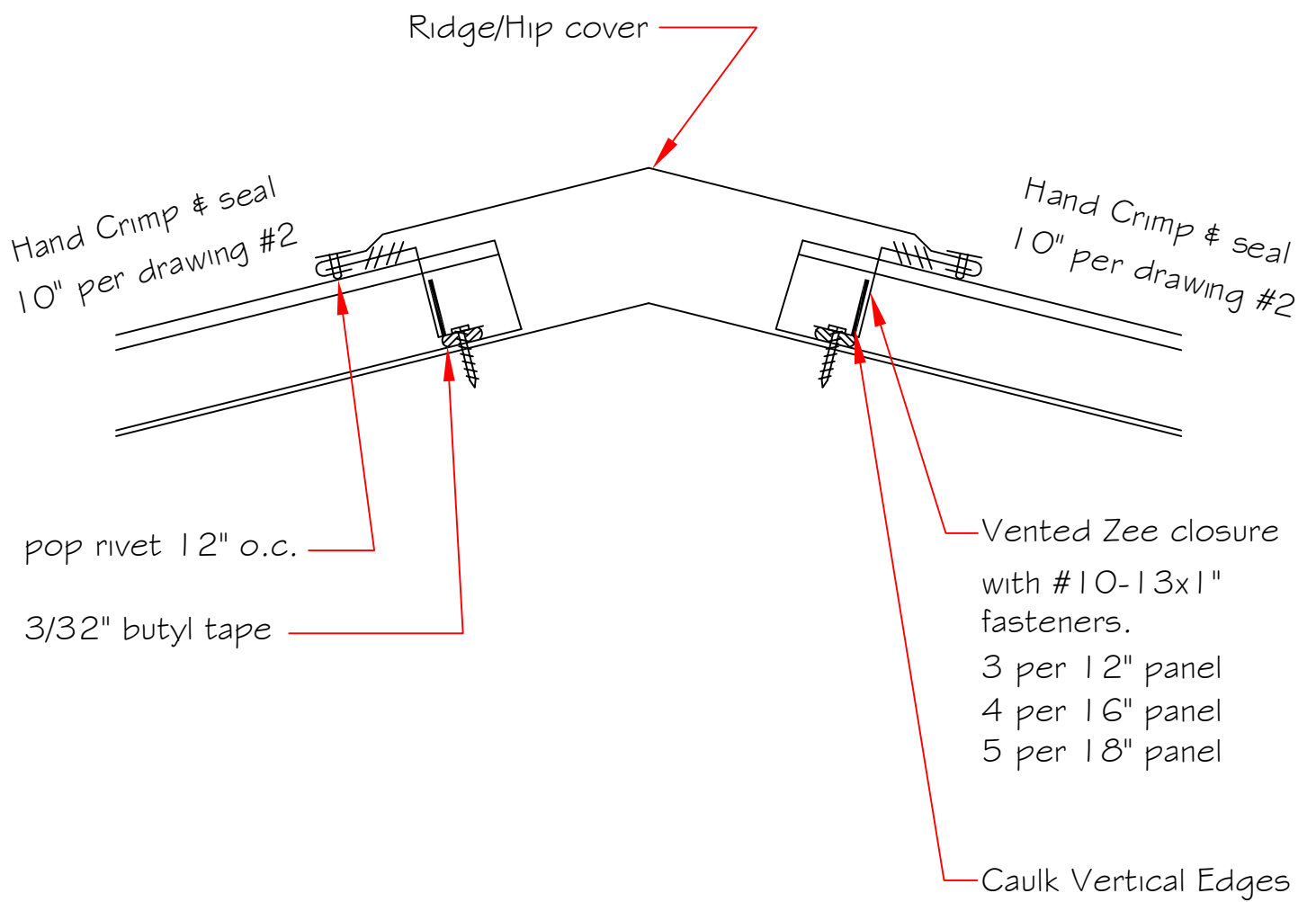
DETAIL: Ridge/Hip Cover

SYSTEM: CMP SERIES 1500  
DATE: 7-7-05



SCALE:

DRAWING NO: 7



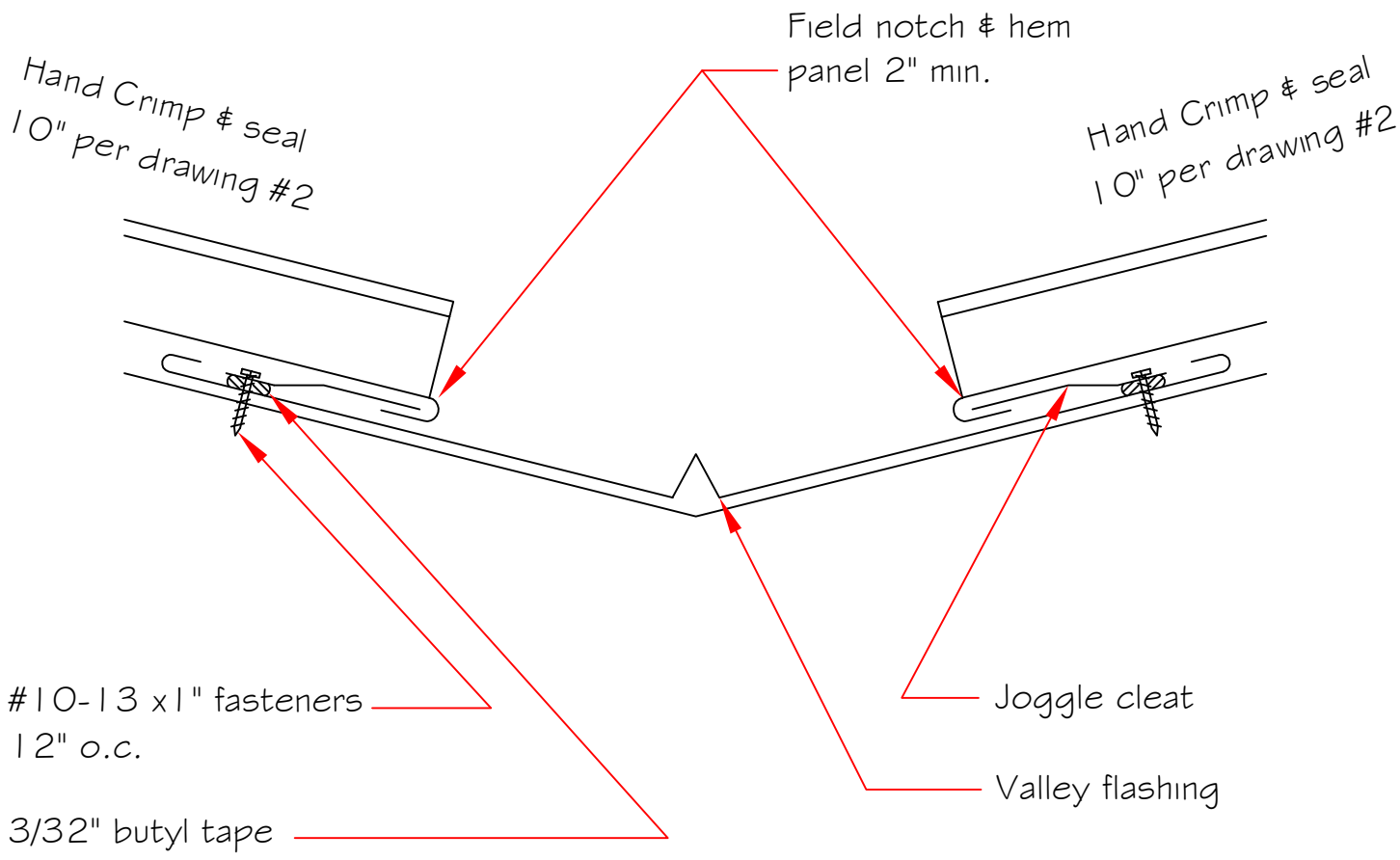
DETAIL: Vented Ridge

SYSTEM: CMP SERIES 1500  
DATE: 7-7-05

CMP

SCALE:

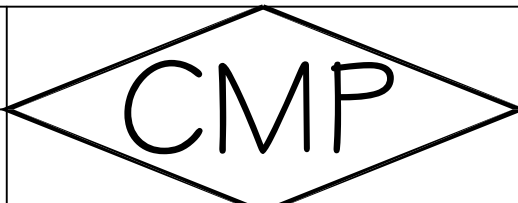
DRAWING NO: 8



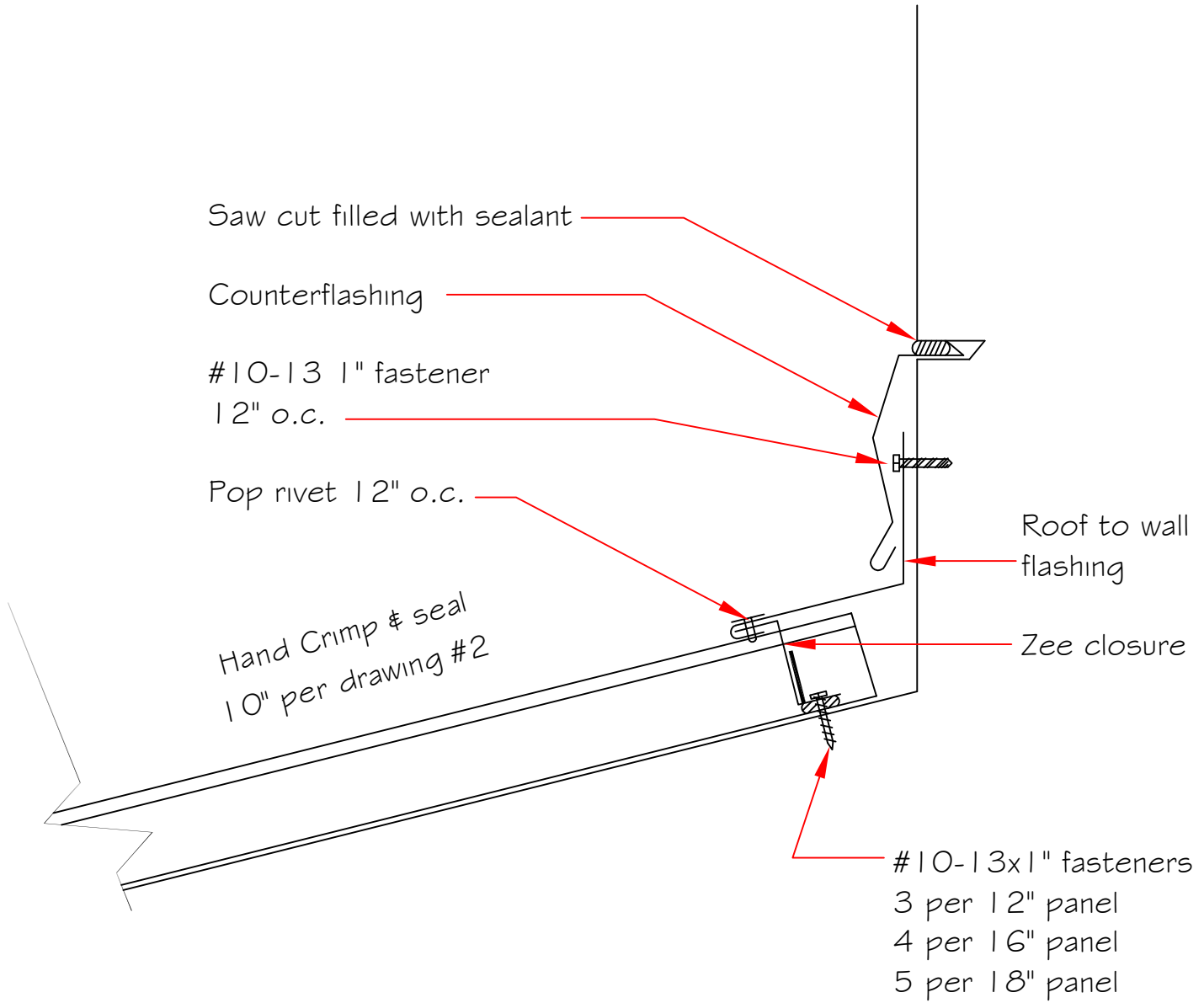
DETAIL: Valley Flashing

SCALE:

SYSTEM: CMP SERIES 1500  
DATE: 7-7-05



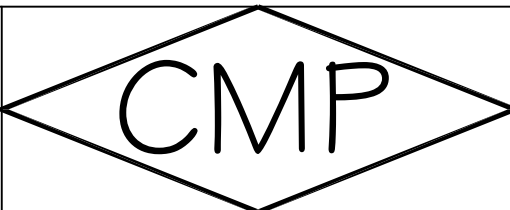
DRAWING NO: 9



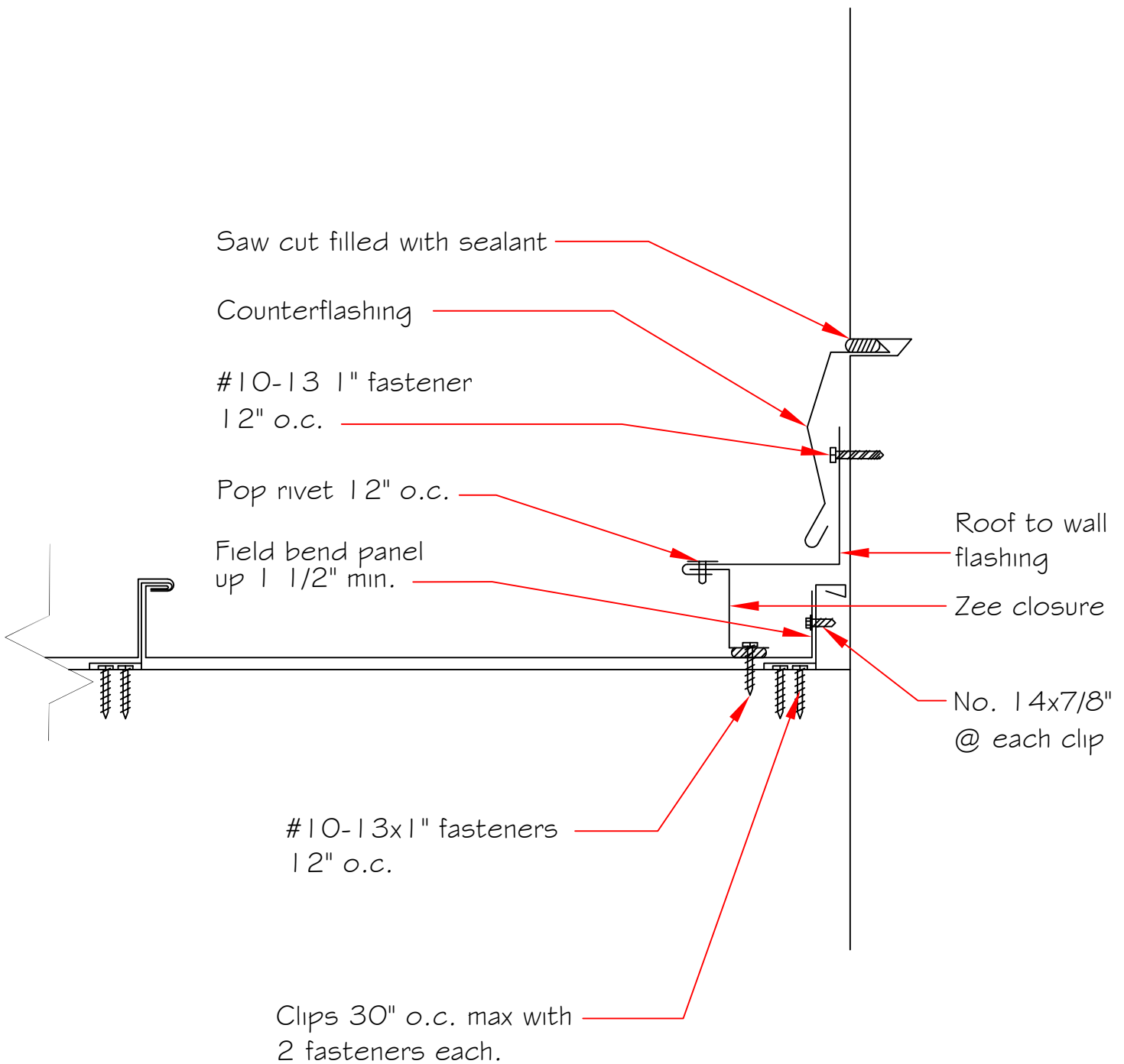
DETAIL: Roof to Wall flashing

SCALE:

SYSTEM: CMP SERIES 1500  
DATE: 7-7-05



DRAWING NO: 10



DETAIL: Pitchbreak flashing

SCALE:

SYSTEM: CMP SERIES 1500  
DATE: 7-7-05

CMP

DRAWING NO:

11