

# Construction Metal Products, Inc.

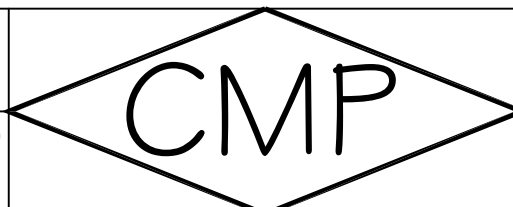
## System: CMP Series 1000

### Drawings

1. Panel & Clip Profile
2. Panel Sealant
3. Eave Flashing with Gutter
4. Locking Eave
5. High Eave
6. Gable End
7. Hip/Ridge
8. Vented Ridge
9. Valley
10. Roof To Wall
11. Pitchbreak Flashing

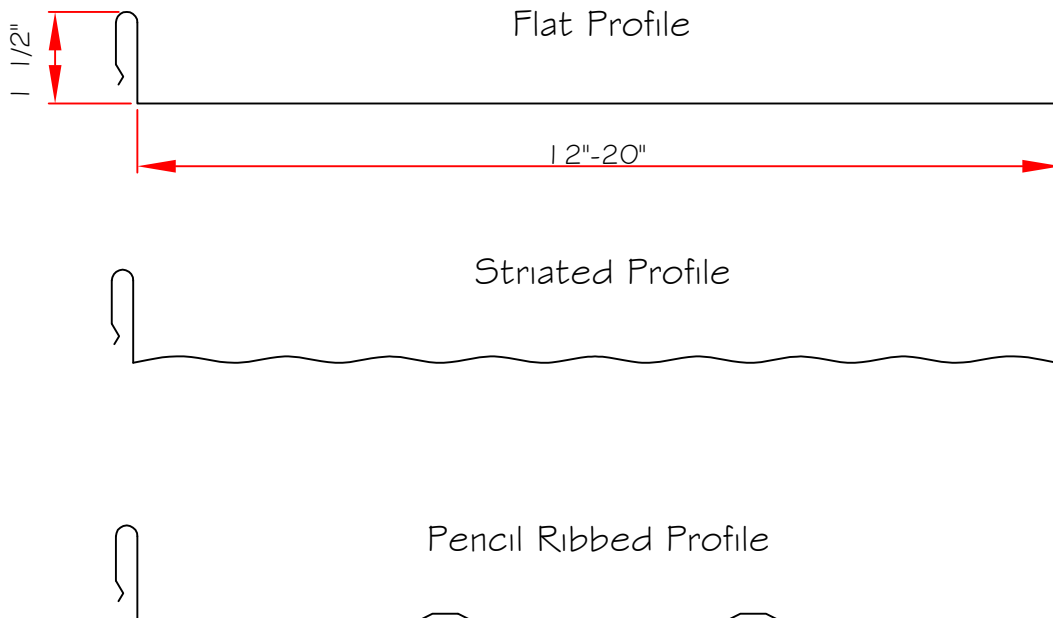
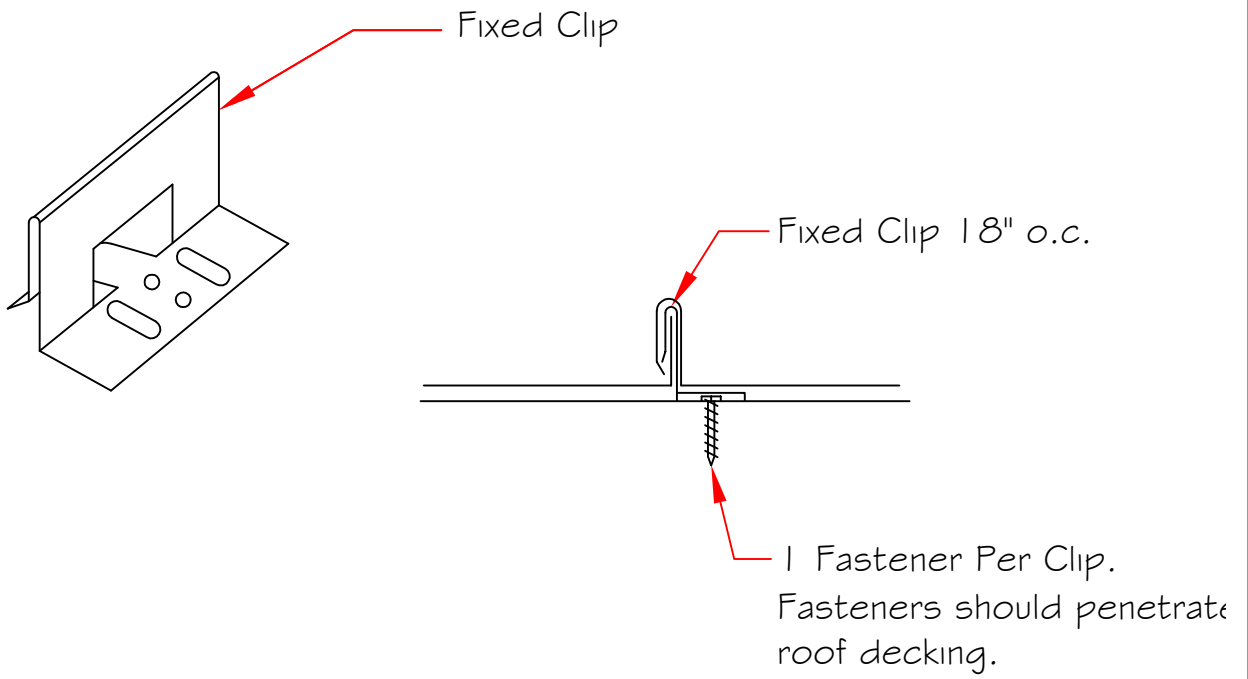
DETAIL:

SYSTEM: CMP SERIES 1000  
DATE: 7-7-05



SCALE:

DRAWING NO:



Note: Striated Profile is Standard

DETAIL: Panel & Clip Profile

SCALE:

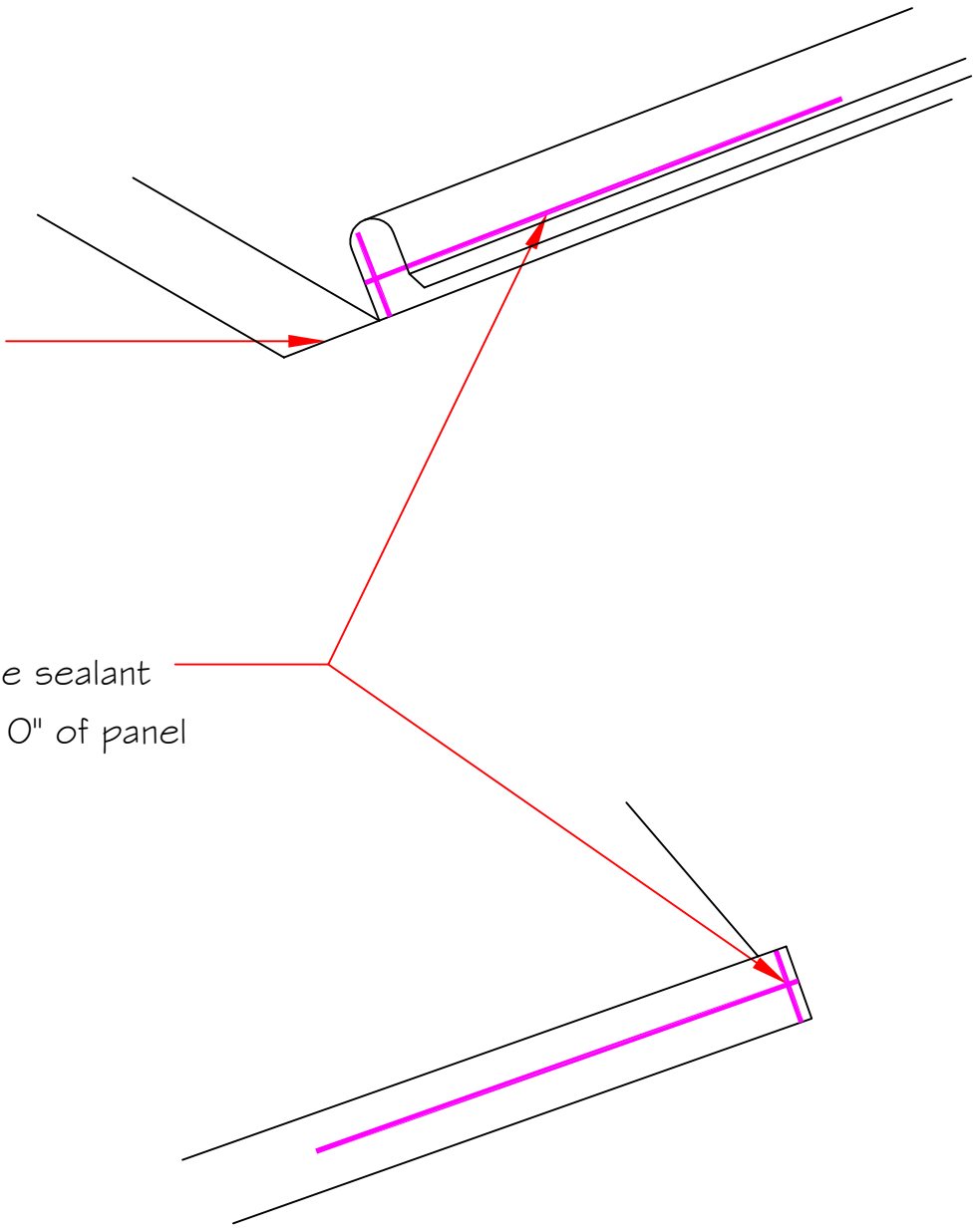
SYSTEM: CMP SERIES 1000  
DATE: 7-7-05

CMP

DRAWING NO: 1

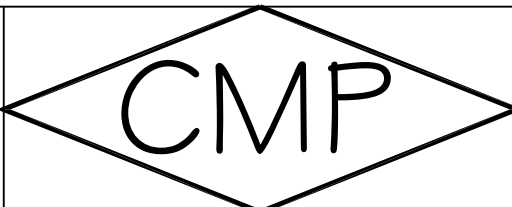
Field notch & hem  
under eave flashing.

Apply tube sealant  
for first 10" of panel



DETAIL: Panel Sealant

SYSTEM: CMP SERIES 1000  
DATE: 7-7-05



SCALE:

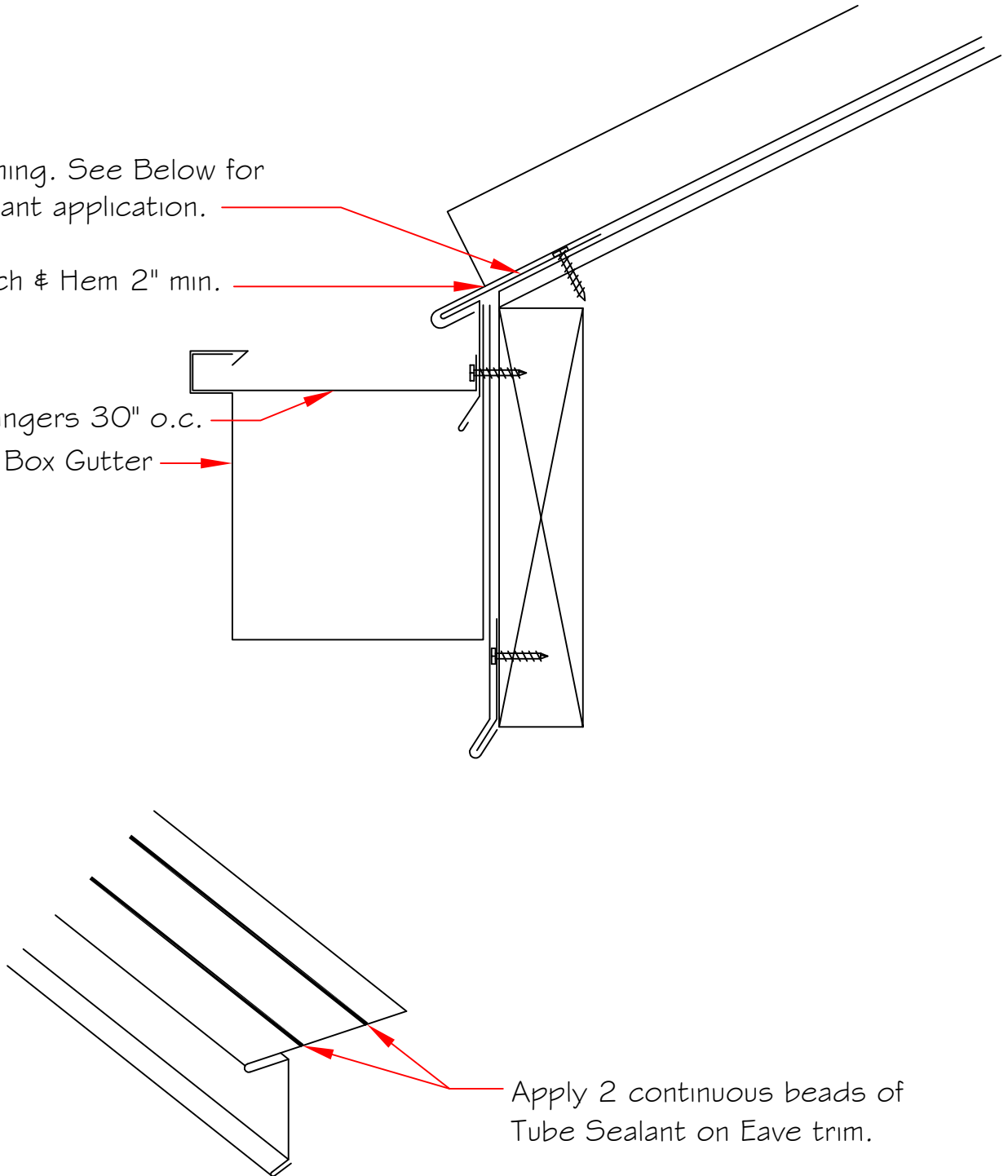
DRAWING NO: 2

Eave Flashing. See Below for  
Tube Sealant application.

Field Notch & Hem 2" min.

Gutter Hangers 30" o.c.

Standard Box Gutter



Apply 2 continuous beads of  
Tube Sealant on Eave trim.

DETAIL: Eave Flashing  
with Gutter

SYSTEM: CMP SERIES 1000  
DATE: 7-7-05

CMP

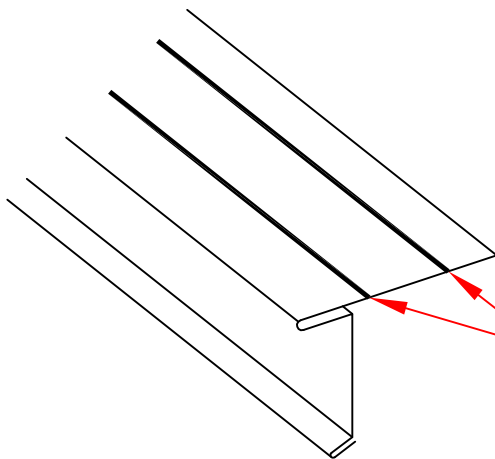
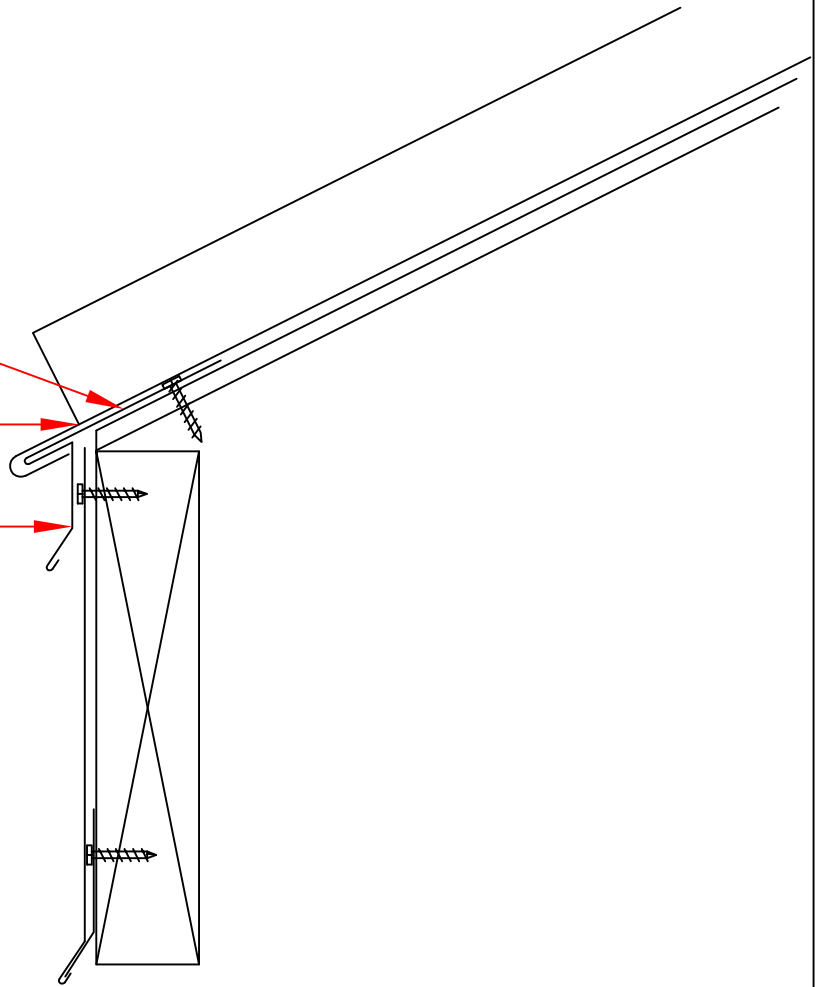
SCALE:

DRAWING NO: 3

Eave Flashing. See Below for  
Tube Sealant application.

Field Notch & Hem 2" min.

Use cleat if face is over 3"



Apply 2 continuous beads of  
Tube Sealant on Eave trim.

DETAIL: Locking Eave

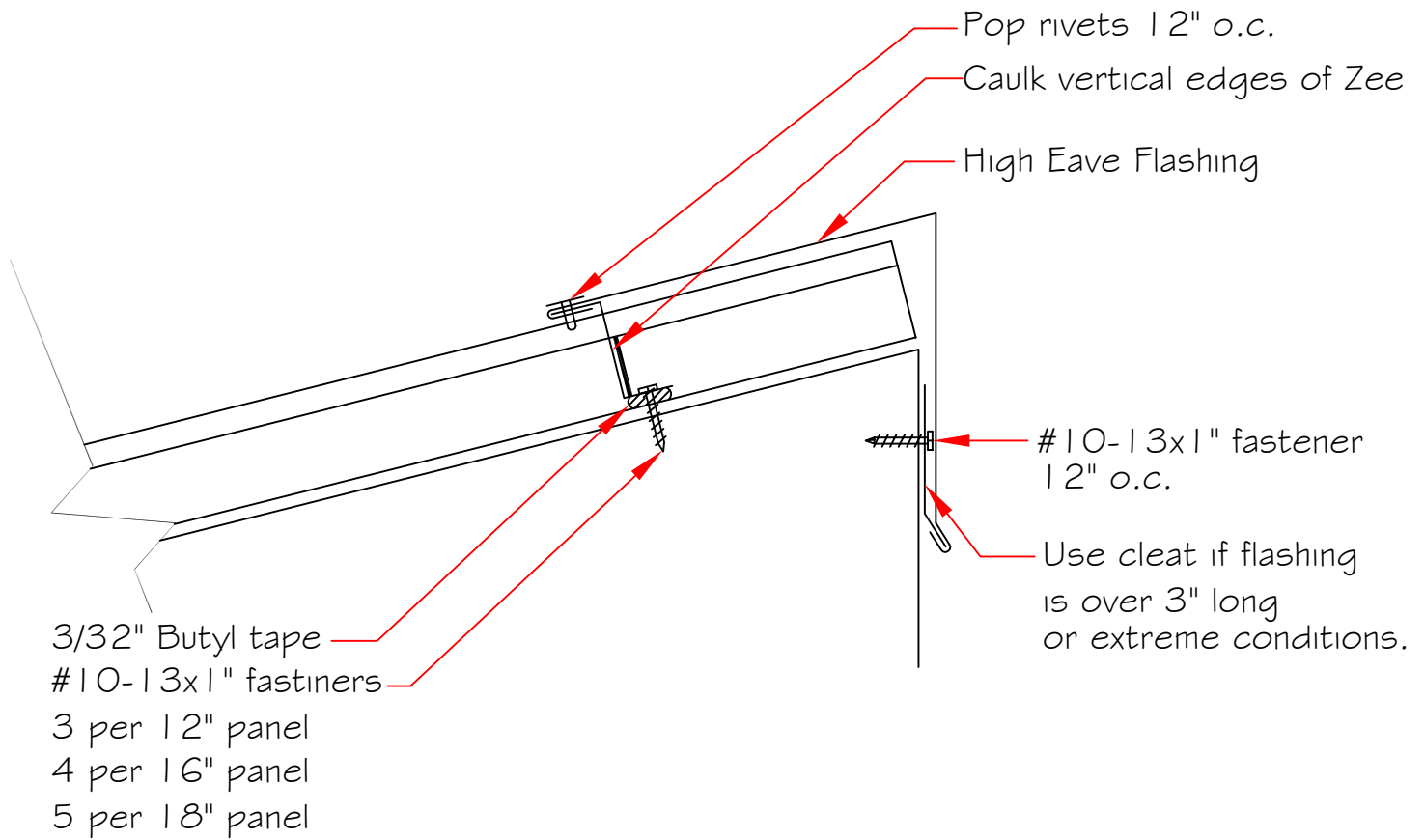
SYSTEM: CMP SERIES 1000  
DATE: 7-7-05

CMP

SCALE:

DRAWING NO:

4



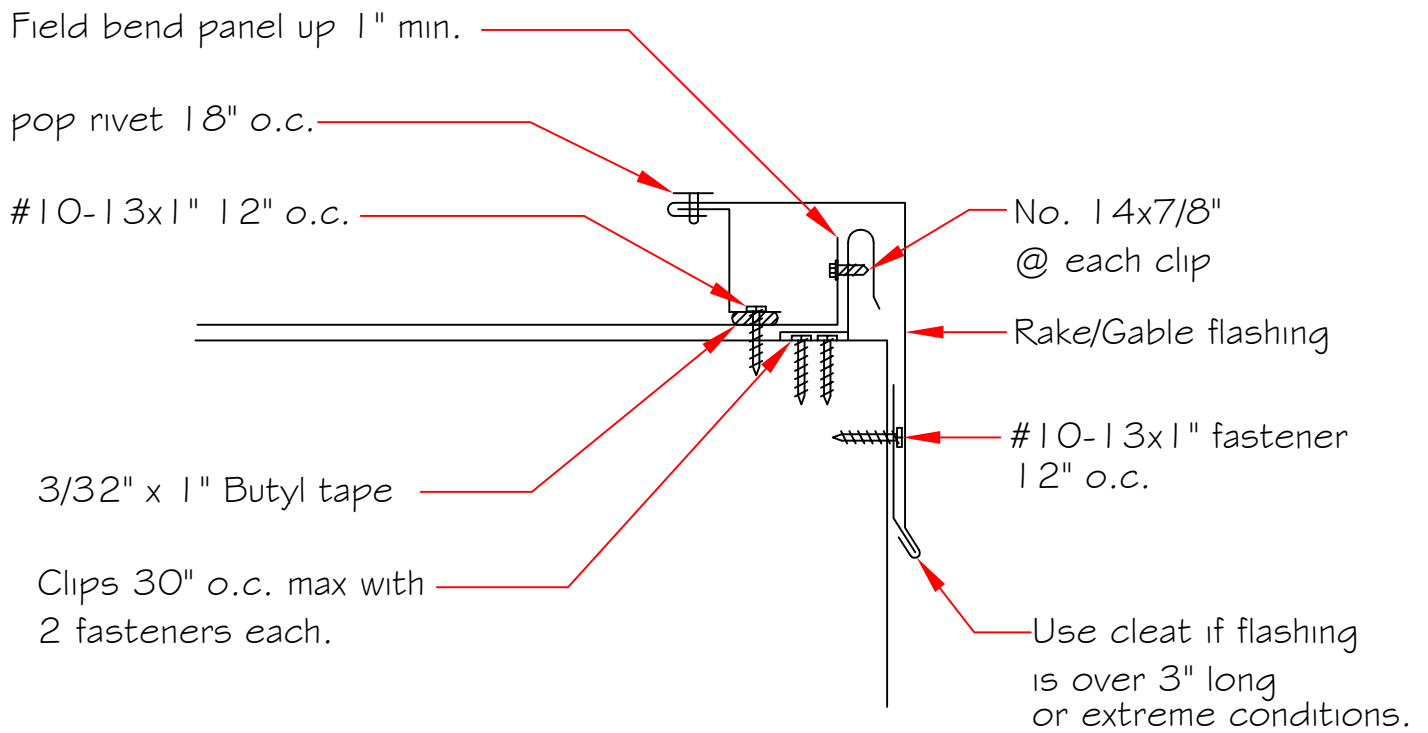
DETAIL: High Eave Flashing

SCALE:

SYSTEM: CMP SERIES 1000  
DATE: 7-7-05

CMP

DRAWING NO: 5



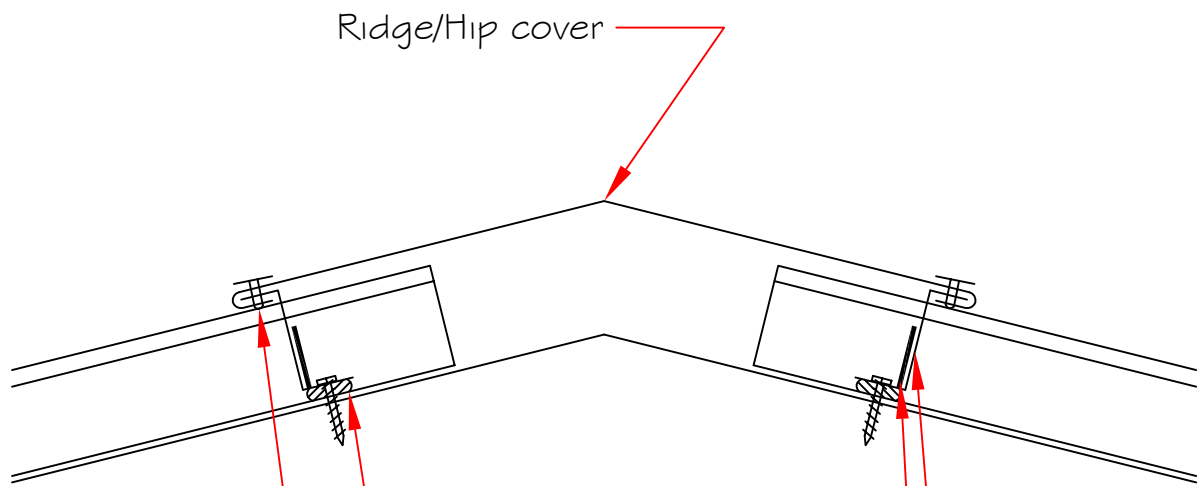
DETAIL: Rake/Gable Flashing

SCALE:

SYSTEM: CMP SERIES 1000  
DATE: 7-7-05

CMP

DRAWING NO: 6



Ridge/Hip cover

pop rivet 12" o.c.

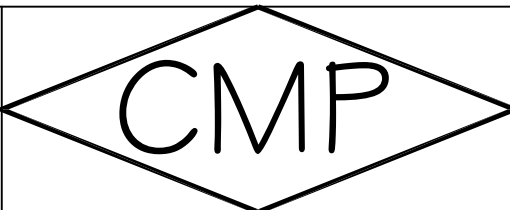
3/32" butyl tape

Zee closure with  
 #10-13x1" fasteners  
 3 per 12" panel  
 4 per 16" panel  
 5 per 18" panel

Caulk Vertical Edges

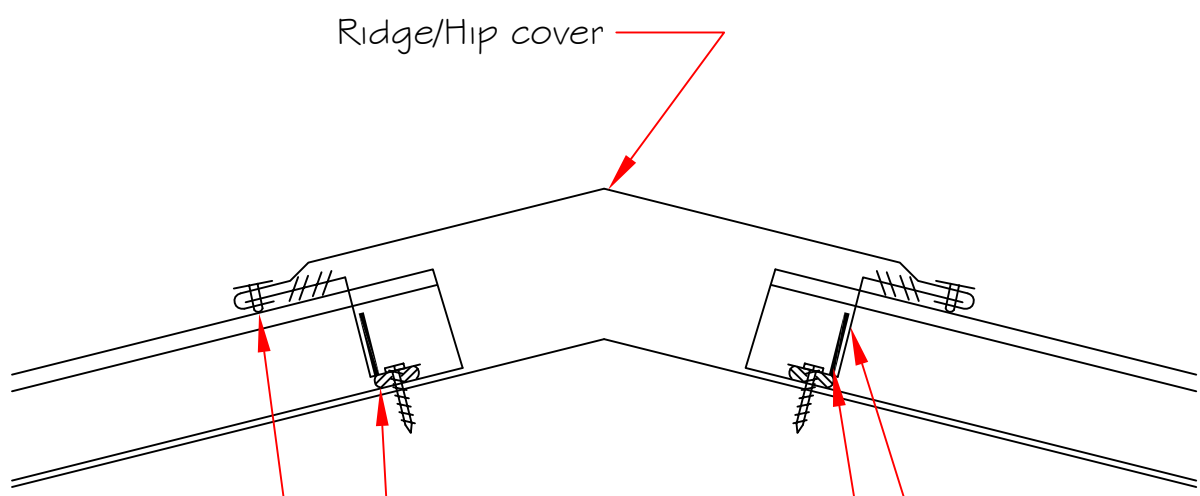
DETAIL: Ridge/Hip Cover

SYSTEM: CMP SERIES 1000  
 DATE: 7-7-05



SCALE:

DRAWING NO: 7



pop rivet 12" o.c.

3/32" butyl tape

Vented Zee closure with #10-13x1" fasteners.

3 per 12" panel

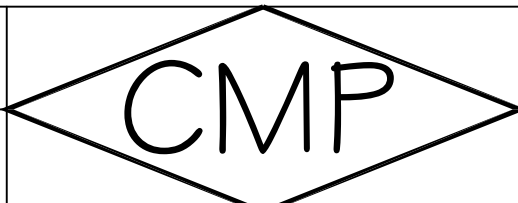
4 per 16" panel

5 per 18" panel

Caulk Vertical Edges

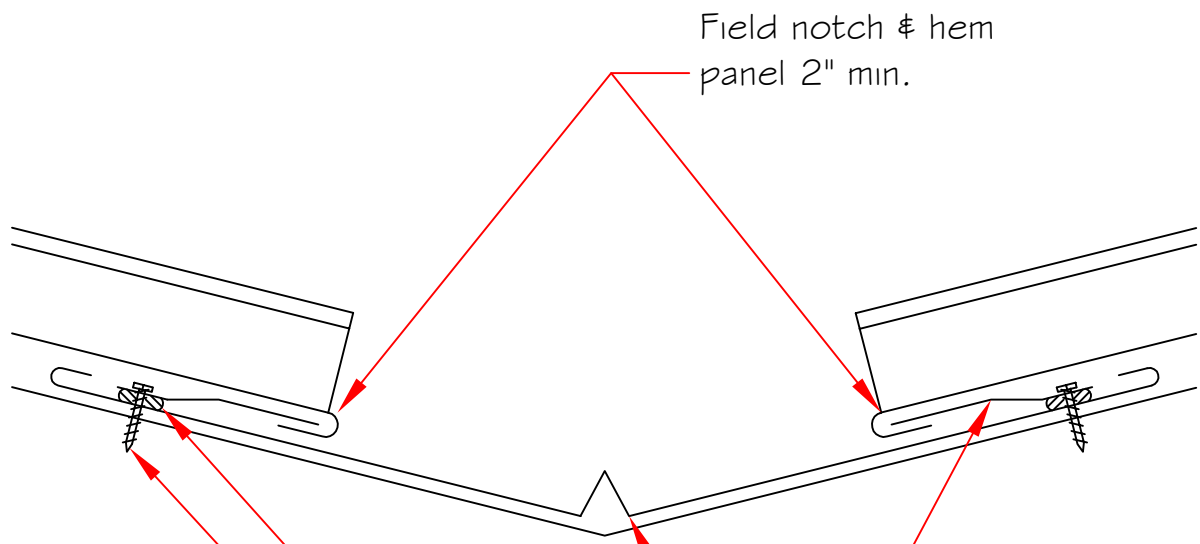
DETAIL: Vented Ridge

SYSTEM: CMP SERIES 1000  
DATE: 7-7-05



SCALE:

DRAWING NO: 8



Field notch & hem  
panel 2" min.

#10-13 x 1" fasteners  
12" o.c.

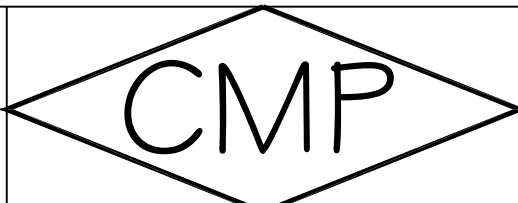
3/32" butyl tape

Joggle cleat

Valley flashing

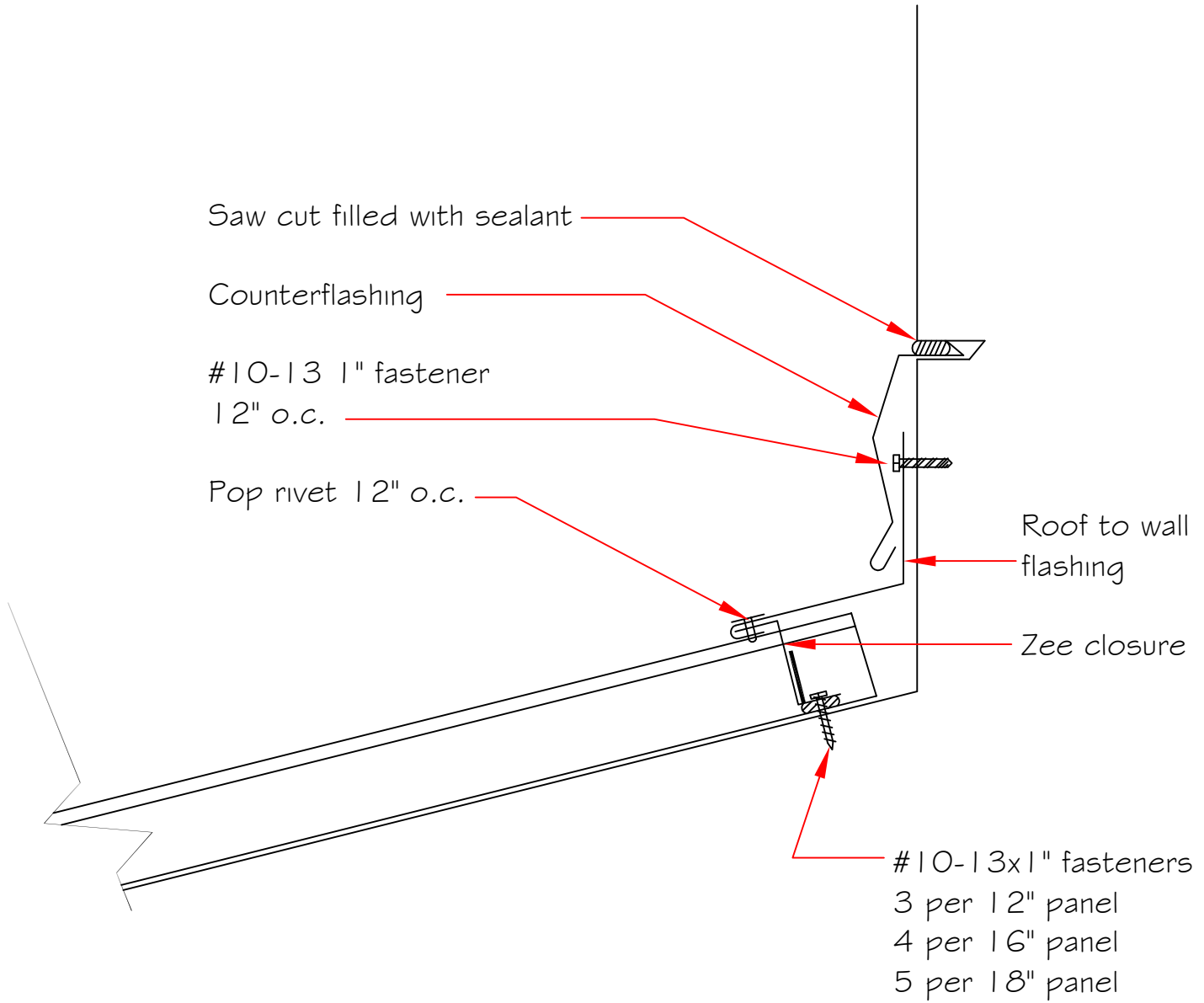
DETAIL: Valley Flashing

SYSTEM: CMP SERIES 1000  
DATE: 7-7-05



SCALE:

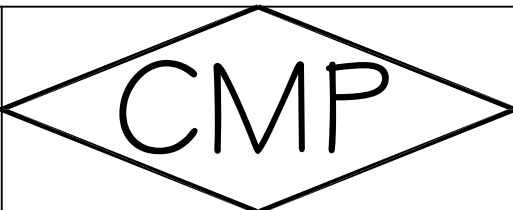
DRAWING NO: 9



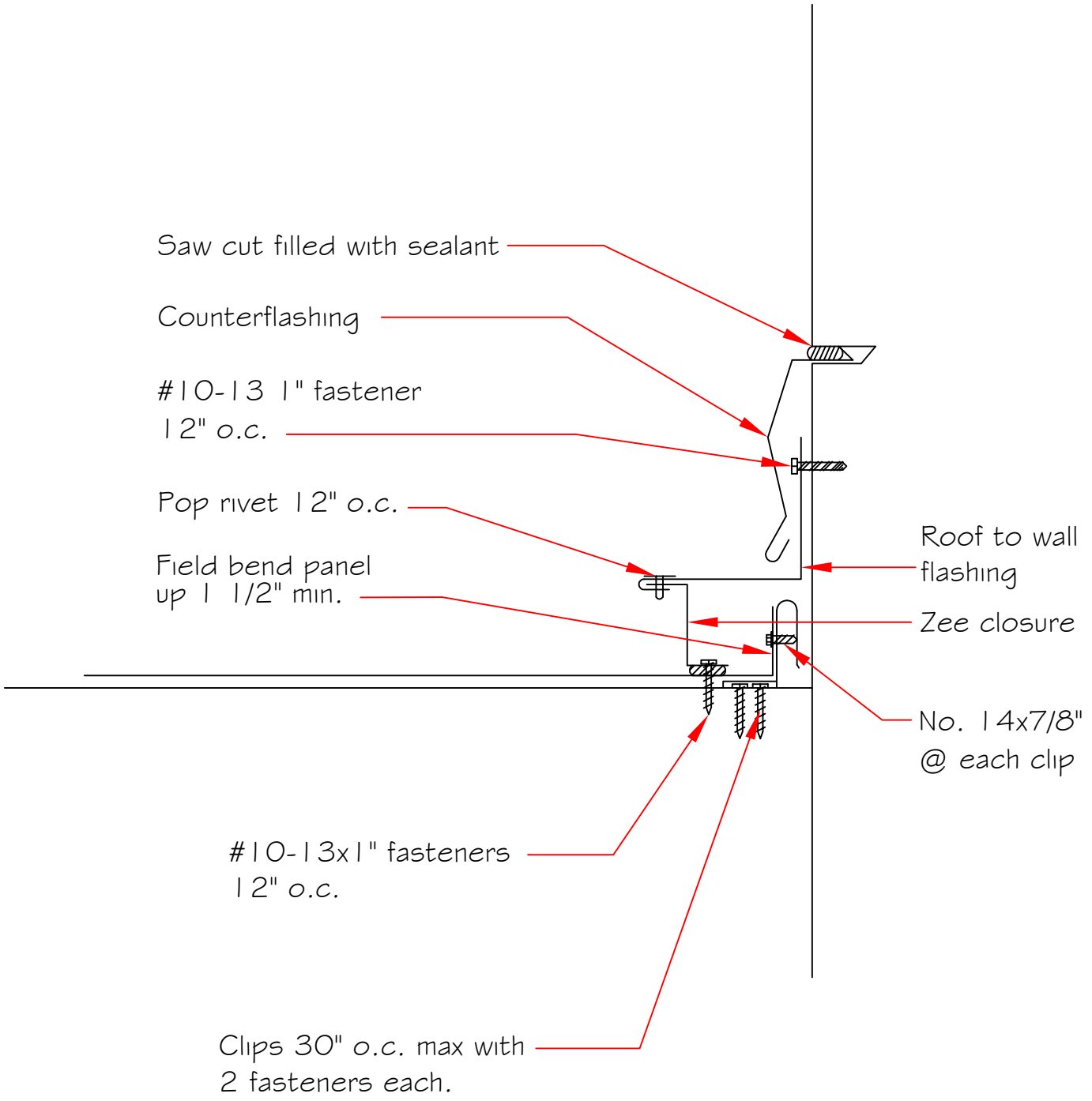
DETAIL: Roof to Wall flashing

SCALE:

SYSTEM: CMP SERIES 1000  
DATE: 7-7-05



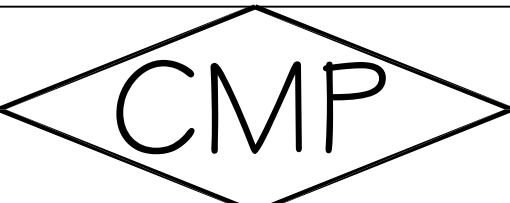
DRAWING NO: 10



DETAIL: Pitchbreak flashing

SCALE:

SYSTEM: CMP SERIES 1000  
DATE: 7-7-05



DRAWING NO: 11