

CMP Multi-Rib Trim

1. Ridge
2. 10" Outside Corner
3. 13" Outside Corner
4. Rake Trim
5. Gable Trim
6. Eave Trim
7. Drip Trim
8. Inside Corner
9. Drip Cap
10. J-Channel
11. Valley
12. End Wall Trim
13. Side Wall Trim
14. Base Angle
15. Double Angle Trim
16. Jamb Trim
17. 3 1/2" Fascia
18. 5 1/2" Fascia
19. 7 1/2" Fascia
20. Transition Trim
21. Gambrel Trim

Note: All trim lengths are standard 10'-0"
Lengths up to 26'-0" are Special Order.

Construction Metal Products Inc.
2204 West Front St.
Statesville, NC. 28677

Ph. 1-704-871-8704
Ph. 1-888-750-9827
Fx. 1-704-871-8704

Detail:

Scale: n/a

System: Multi-Rib Trim

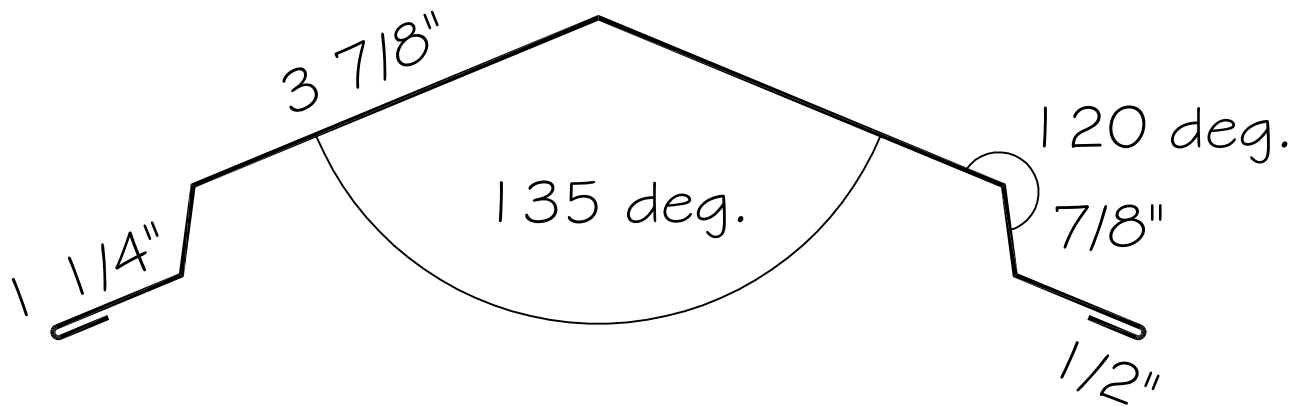
Date: 7-7-05

Drawing:



CMP

CMP Multi-Rib Trim



Note: All trim lengths are standard 10'-0"
Lengths up to 26'-0" are Special Order.

Construction Metal Products Inc.
2204 West Front St.
Statesville, NC. 28677

Ph. 1-704-871-8704
Ph. 1-888-750-9827
Fx. 1-704-871-8704

Detail: Ridge

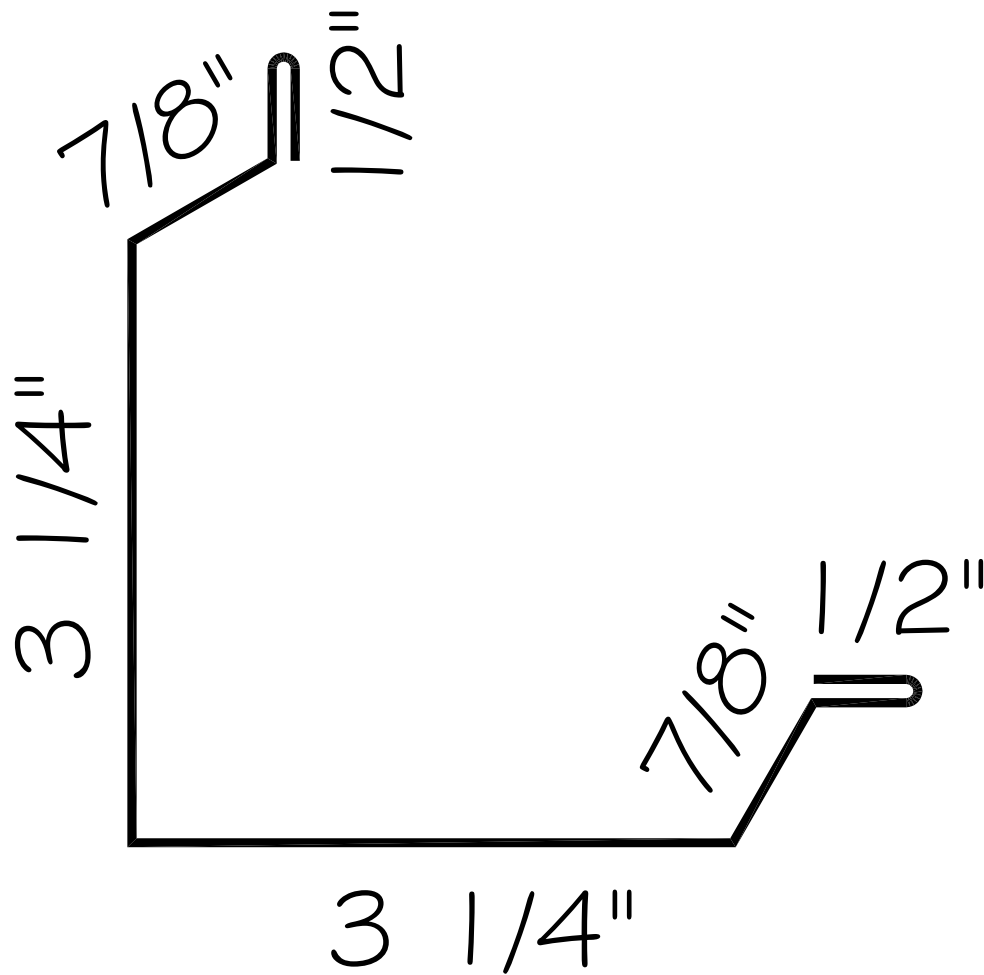
System: Multi-Rib Trim
Date: 7-7-05

CMP

Scale: n/a

Drawing: 1

CMP Multi-Rib Trim



Note: All trim lengths are standard 10'-0"
Lengths up to 26'-0" are Special Order.

Construction Metal Products Inc.
2204 West Front St.
Statesville, NC. 28677

Ph. 1-704-871-8704
Ph. 1-888-750-9827
Fx. 1-704-871-8704

Detail: 10 1/4" Outside
Corner

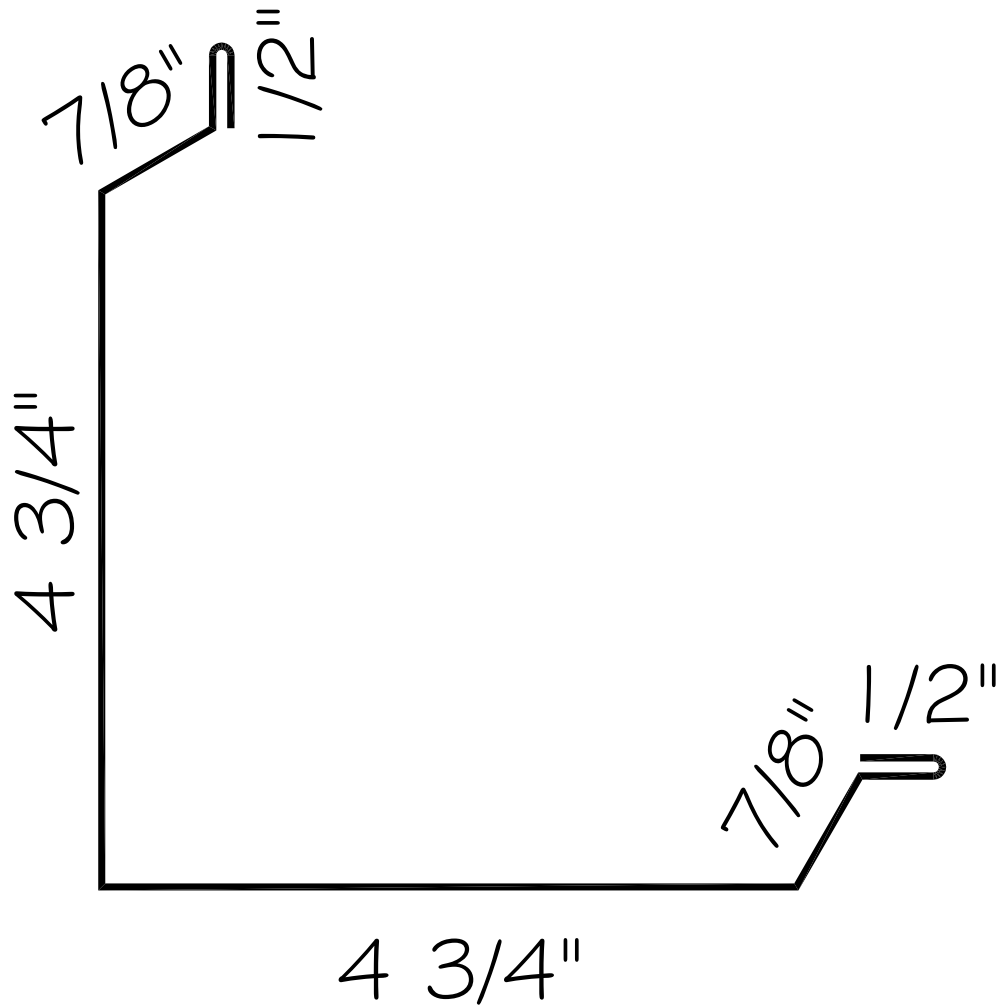
System: Multi-Rib Trim
Date: 7-7-05

CMP

Scale: n/a

Drawing: 2

CMP Multi-Rib Trim



Note: All trim lengths are standard 10'-0"
Lengths up to 26'-0" are Special Order.

Construction Metal Products Inc.
2204 West Front St.
Statesville, NC. 28677

Ph. 1-704-871-8704
Ph. 1-888-750-9827
Fx. 1-704-871-8704

Detail: 13 3/4" Outside
Corner

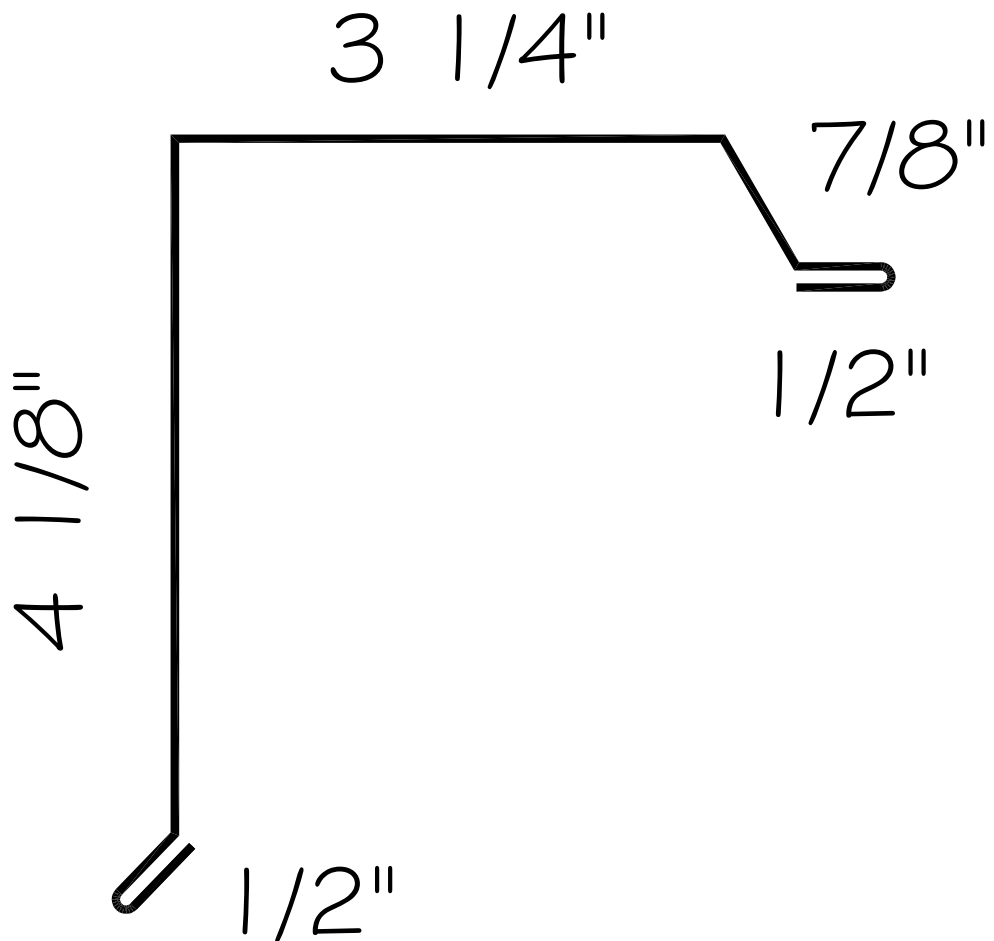
System: Multi-Rib Trim
Date: 7-7-05

CMP

Scale: n/a

Drawing: 3

CMP Multi-Rib Trim



Note: All trim lengths are standard 10'-0"
Lengths up to 26'-0" are Special Order.

Construction Metal Products Inc.
2204 West Front St.
Statesville, NC. 28677

Ph. 1-704-871-8704
Ph. 1-888-750-9827
Fx. 1-704-871-8704

Detail: Rake Trim

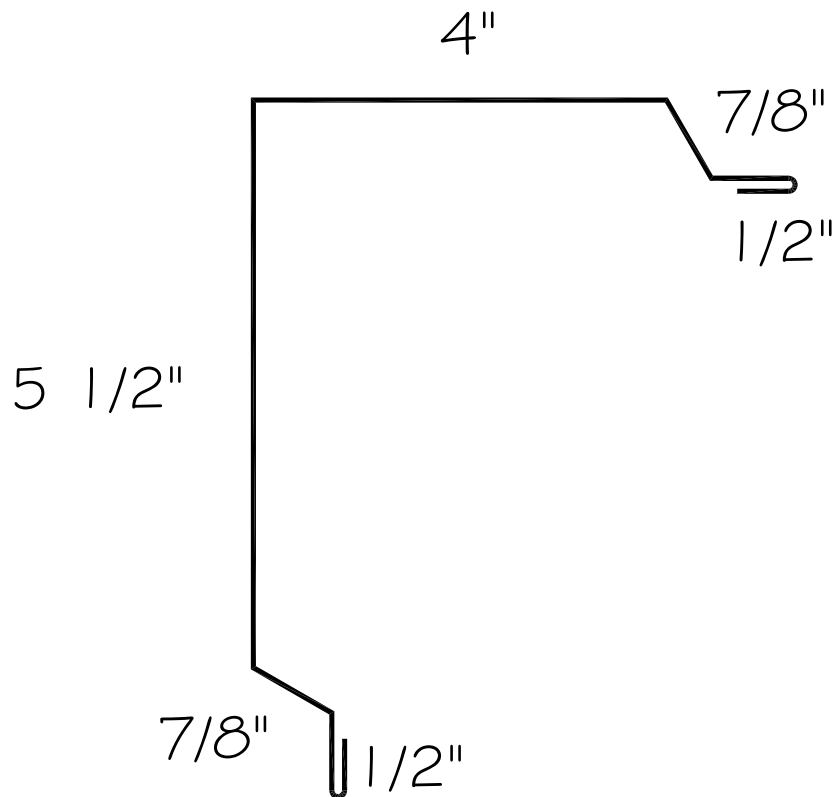
Scale: n/a

System: Multi-Rib Trim
Date: 7-7-05

Drawing: 4

CMP

CMP Multi-Rib Trim



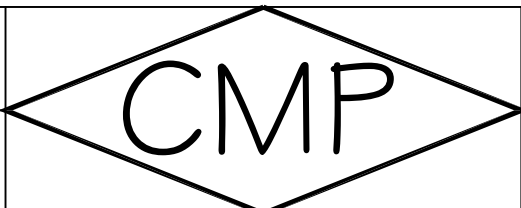
Note: All trim lengths are standard 10'-0"
Lengths up to 26'-0" are Special Order.

Construction Metal Products Inc.
2204 West Front St.
Statesville, NC. 28677

Ph. 1-704-871-8704
Ph. 1-888-750-9827
Fx. 1-704-871-8704

Detail: Gable Trim

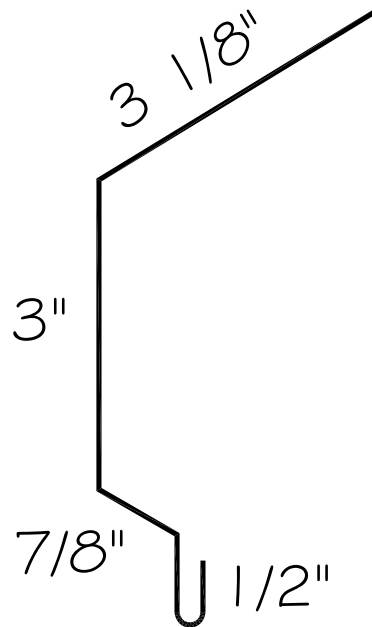
System: Multi-Rib Trim
Date: 7-7-05



Scale: n/a

Drawing: 5

CMP Multi-Rib Trim



Note: All trim lengths are standard 10'-0"
Lengths up to 26'-0" are Special Order.

Construction Metal Products Inc.
2204 West Front St.
Statesville, NC. 28677

Ph. 1-704-871-8704
Ph. 1-888-750-9827
Fx. 1-704-871-8704

Detail: Eave Trim

Scale: n/a

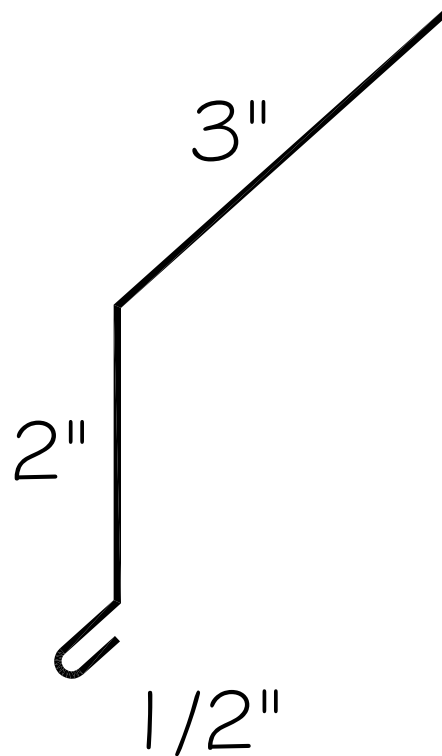
System: Multi-Rib Trim

Drawing: 6

Date: 7-7-05

CMP

CMP Multi-Rib Trim



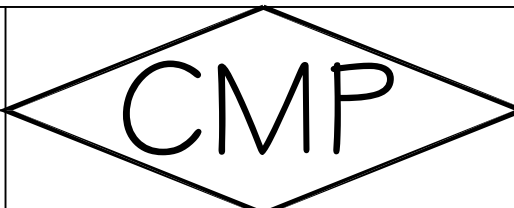
Note: All trim lengths are standard 10'-0"
Lengths up to 26'-0" are Special Order.

Construction Metal Products Inc.
2204 West Front St.
Statesville, NC. 28677

Ph. 1-704-871-8704
Ph. 1-888-750-9827
Fx. 1-704-871-8704

Detail: Drip Trim

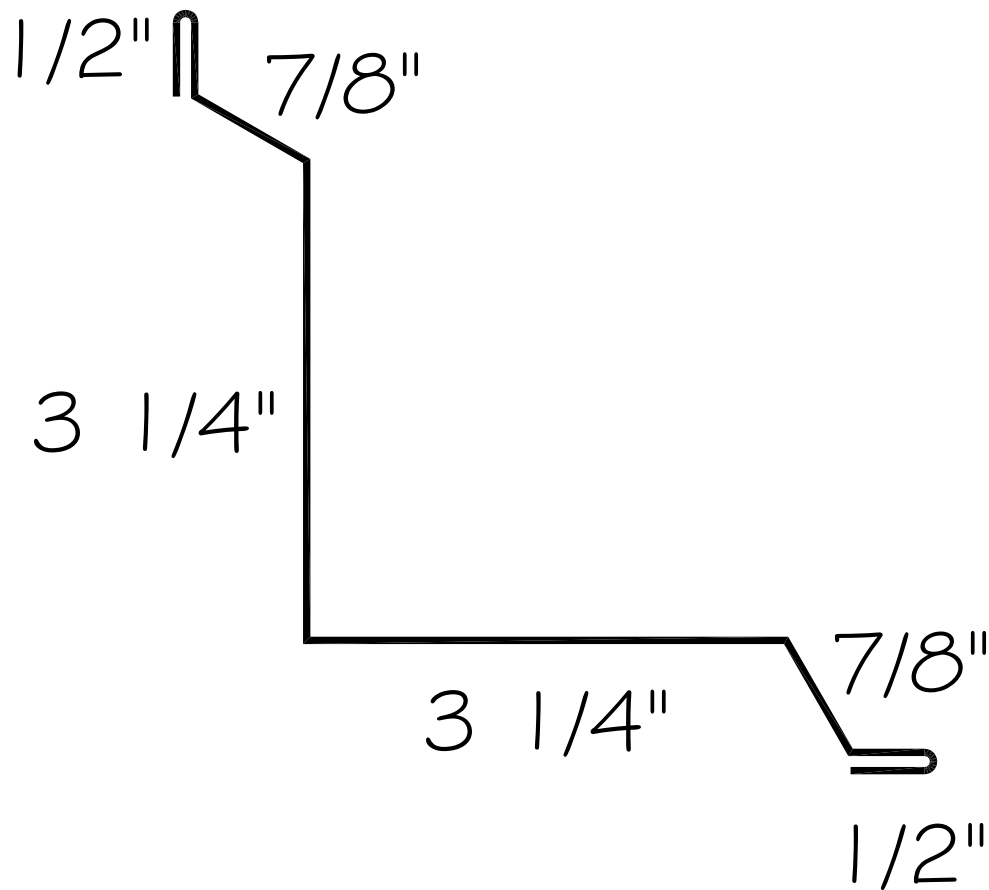
System: Multi-Rib Trim
Date: 7-7-05



Scale: n/a

Drawing: 7

CMP Multi-Rib Trim



Note: All trim lengths are standard 10'-0"
Lengths up to 26'-0" are Special Order.

Construction Metal Products Inc.
2204 West Front St.
Statesville, NC. 28677

Ph. 1-704-871-8704
Ph. 1-888-750-9827
Fx. 1-704-871-8704

Detail: Inside Corner

Scale: n/a

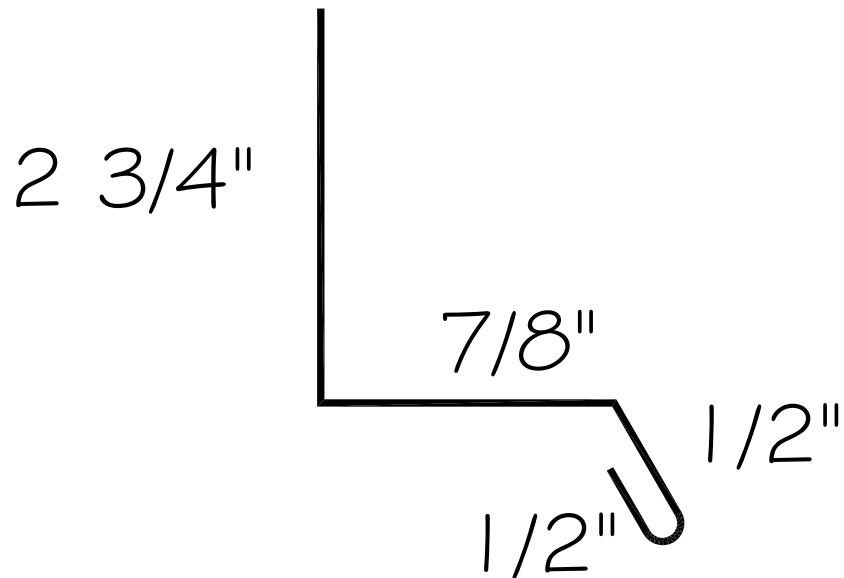
System: Multi-Rib Trim

Drawing: 8

Date: 7-7-05

CMP

CMP Multi-Rib Trim



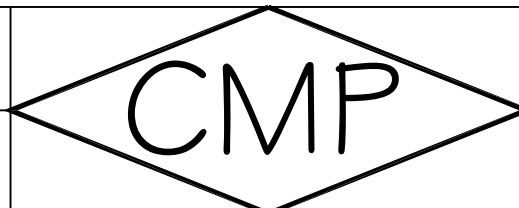
Note: All trim lengths are standard 10'-0"
Lengths up to 26'-0" are Special Order.

Construction Metal Products Inc.
2204 West Front St.
Statesville, NC. 28677

Ph. 1-704-871-8704
Ph. 1-888-750-9827
Fx. 1-704-871-8704

Detail: Drip Cap

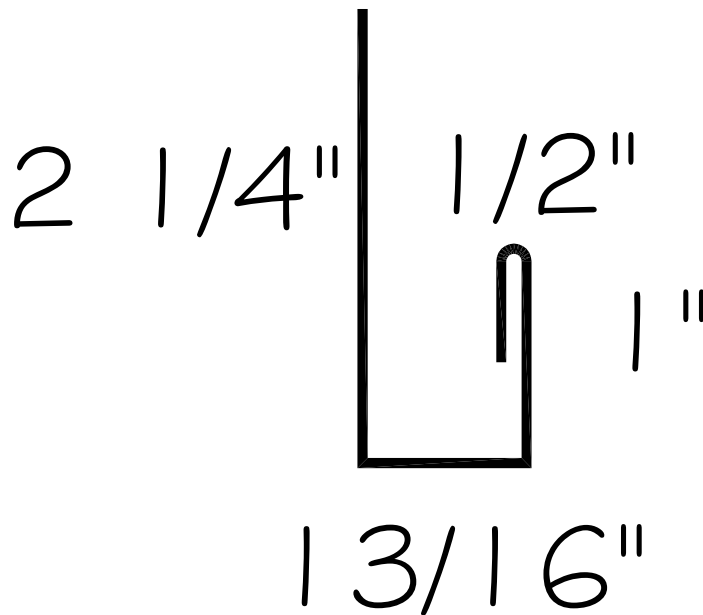
System: Multi-Rib Trim
Date: 7-7-05



Scale: n/a

Drawing: 9

CMP Multi-Rib Trim



Note: All trim lengths are standard 10'-0"
Lengths up to 26'-0" are Special Order.

Construction Metal Products Inc.
2204 West Front St.
Statesville, NC. 28677

Ph. 1-704-871-8704
Ph. 1-888-750-9827
Fx. 1-704-871-8704

Detail: J-Channel

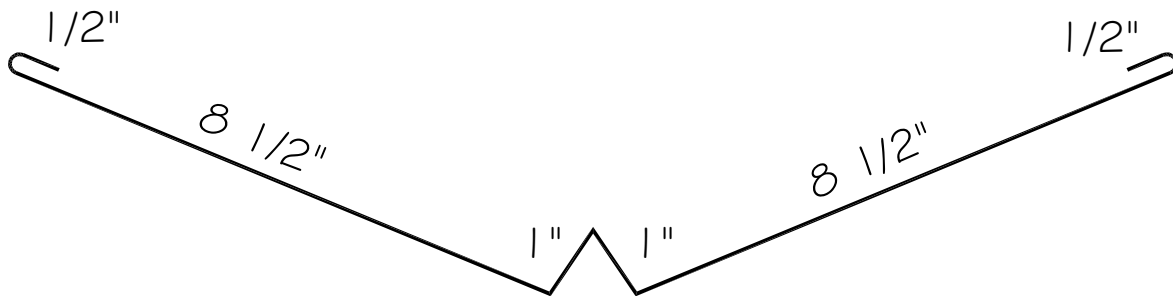
System: Multi-Rib Trim
Date: 7-7-05

CMP

Scale: n/a

Drawing: 10

CMP Multi-Rib Trim



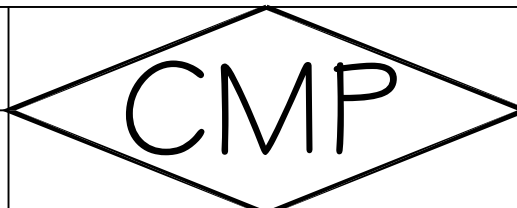
Note: All trim lengths are standard 10'-0"
Lengths up to 26'-0" are Special Order.

Construction Metal Products Inc.
2204 West Front St.
Statesville, NC. 28677

Ph. 1-704-871-8704
Ph. 1-888-750-9827
Fx. 1-704-871-8704

Detail: Valley

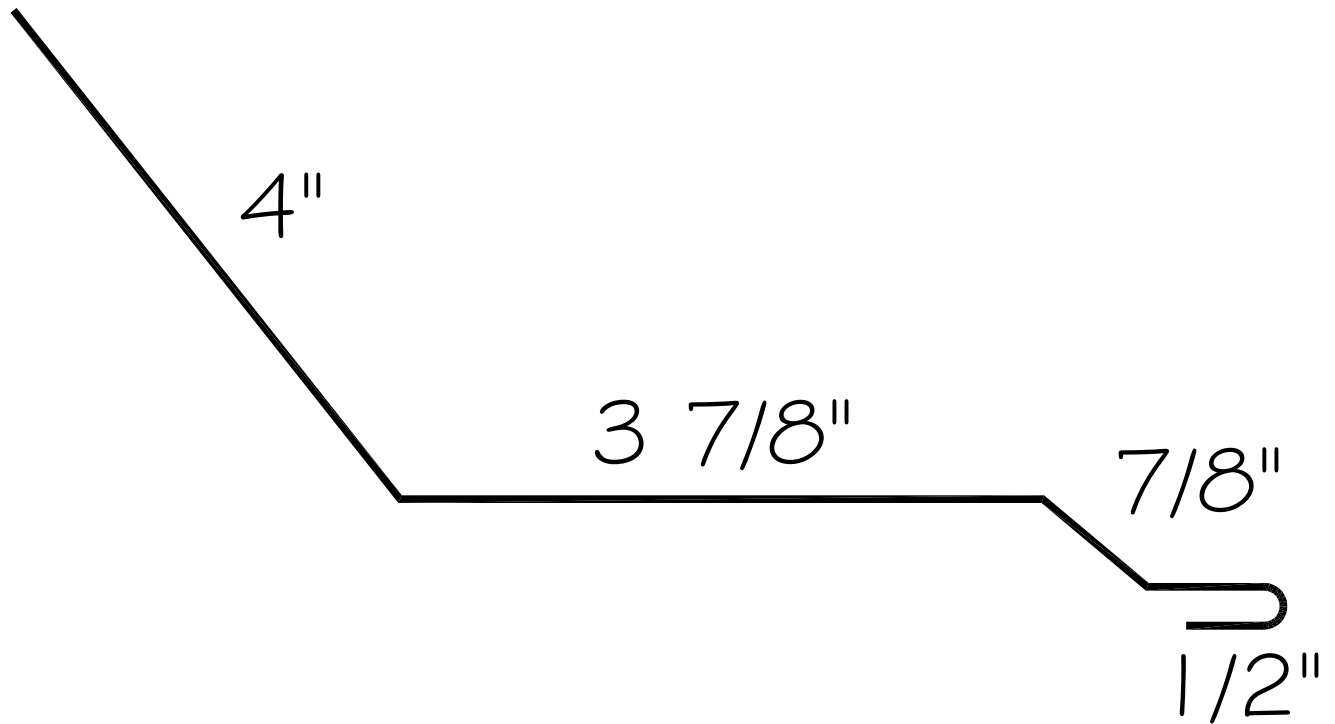
System: Multi-Rib Trim
Date: 7-7-05



Scale: n/a

Drawing: 11

CMP Multi-Rib Trim



Note: All trim lengths are standard 10'-0"
Lengths up to 26'-0" are Special Order.

Construction Metal Products Inc.
2204 West Front St.
Statesville, NC. 28677

Ph. 1-704-871-8704
Ph. 1-888-750-9827
Fx. 1-704-871-8704

Detail: End-Wall Trim

Scale: n/a

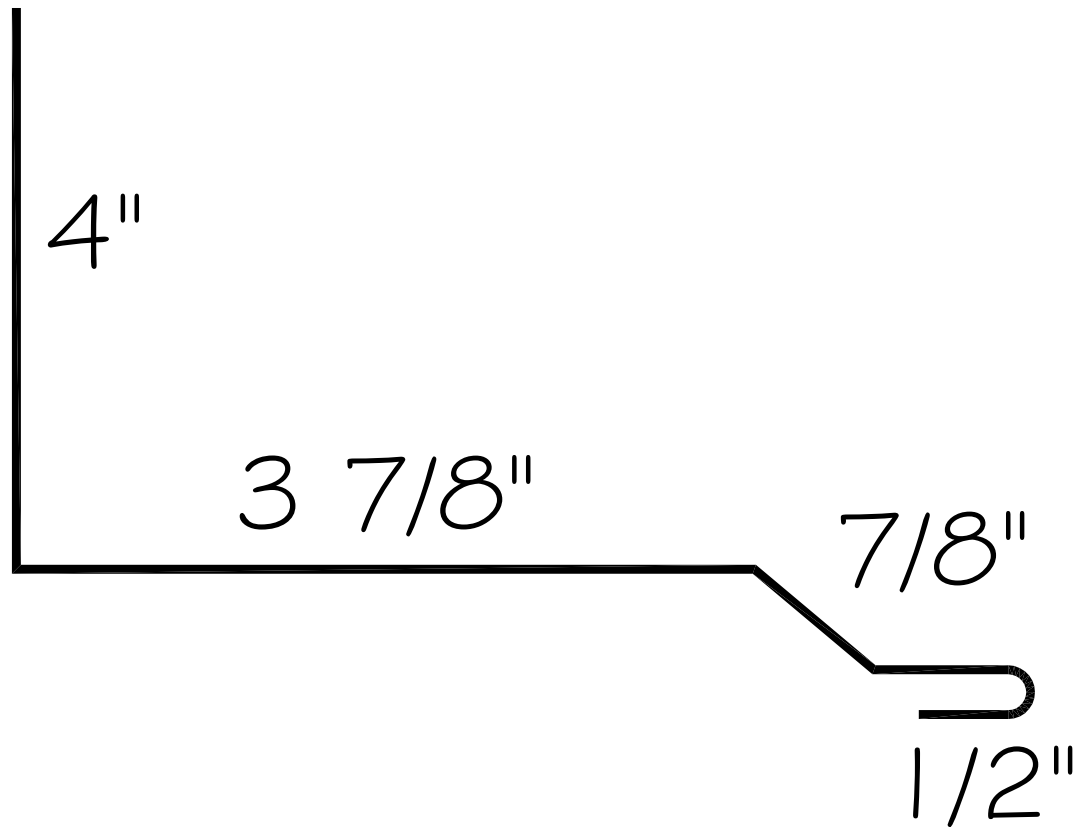
System: Multi-Rib Trim

Drawing: 12

Date: 7-7-05

CMP

CMP Multi-Rib Trim



Note: All trim lengths are standard 10'-0"
Lengths up to 26'-0" are Special Order.

Construction Metal Products Inc.
2204 West Front St.
Statesville, NC. 28677

Ph. 1-704-871-8704
Ph. 1-888-750-9827
Fx. 1-704-871-8704

Detail: Side-Wall Trim

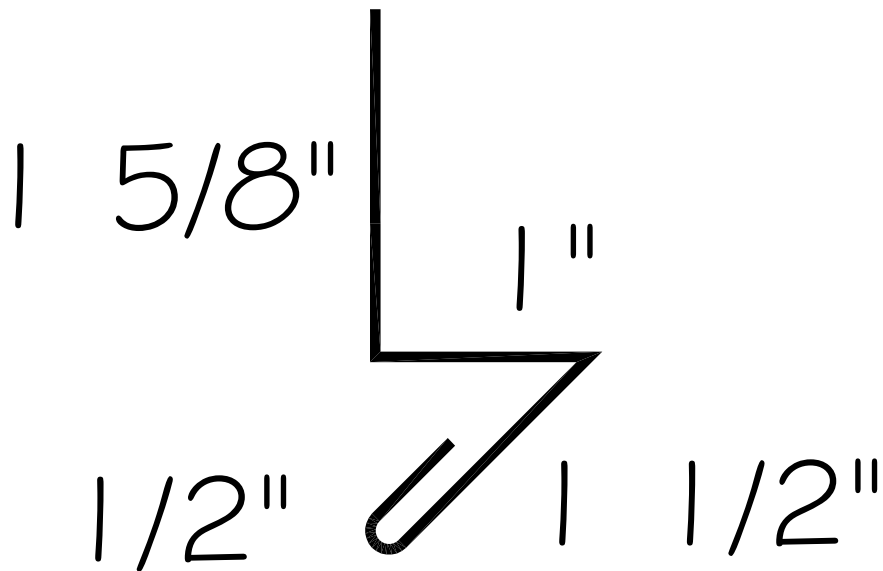
Scale: n/a

System: Multi-Rib Trim
Date: 7-7-05

Drawing: 13

CMP

CMP Multi-Rib Trim



Note: All trim lengths are standard 10'-0"
Lengths up to 26'-0" are Special Order.

Construction Metal Products Inc.
2204 West Front St.
Statesville, NC. 28677

Ph. 1-704-871-8704
Ph. 1-888-750-9827
Fx. 1-704-871-8704

Detail: Base Angle

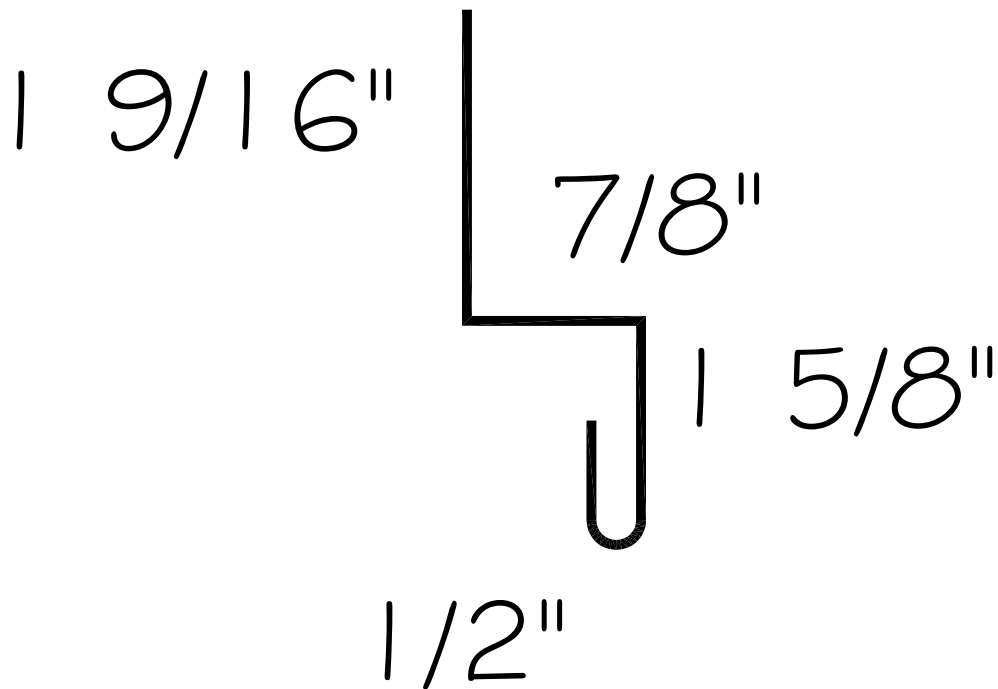
Scale: n/a

System: Multi-Rib Trim
Date: 7-7-05

Drawing: 14

CMP

CMP Multi-Rib Trim



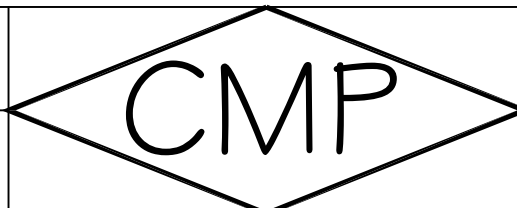
Note: All trim lengths are standard 10'-0"
Lengths up to 26'-0" are Special Order.

Construction Metal Products Inc.
2204 West Front St.
Statesville, NC. 28677

Ph. 1-704-871-8704
Ph. 1-888-750-9827
Fx. 1-704-871-8704

Detail: Double Angle Trim

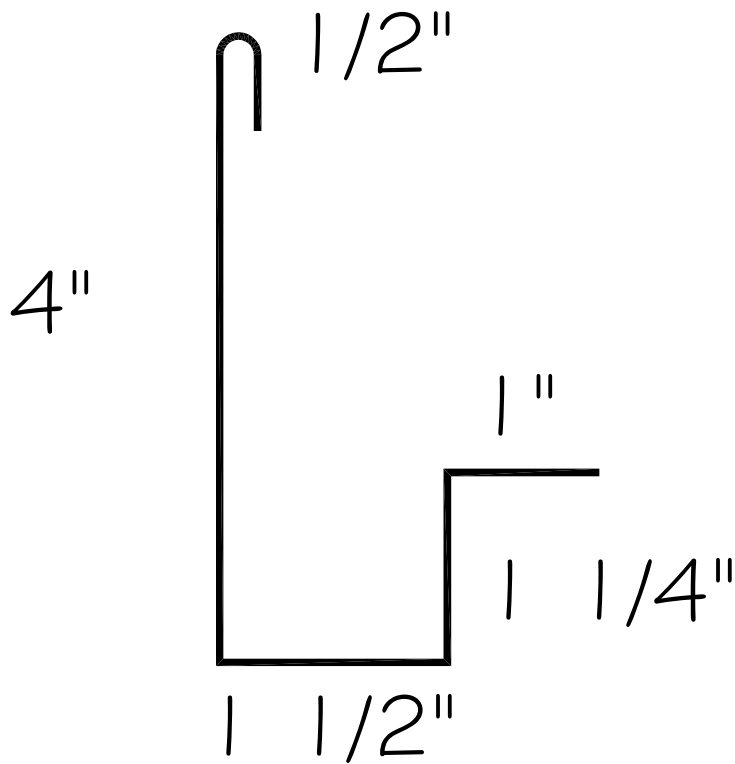
System: Multi-Rib Trim
Date: 7-7-05



Scale: n/a

Drawing: 15

CMP Multi-Rib Trim



Note: All trim lengths are standard 10'-0"
Lengths up to 26'-0" are Special Order.

Construction Metal Products Inc.
2204 West Front St.
Statesville, NC. 28677

Ph. 1-704-871-8704
Ph. 1-888-750-9827
Fx. 1-704-871-8704

Detail: Jamb Trim

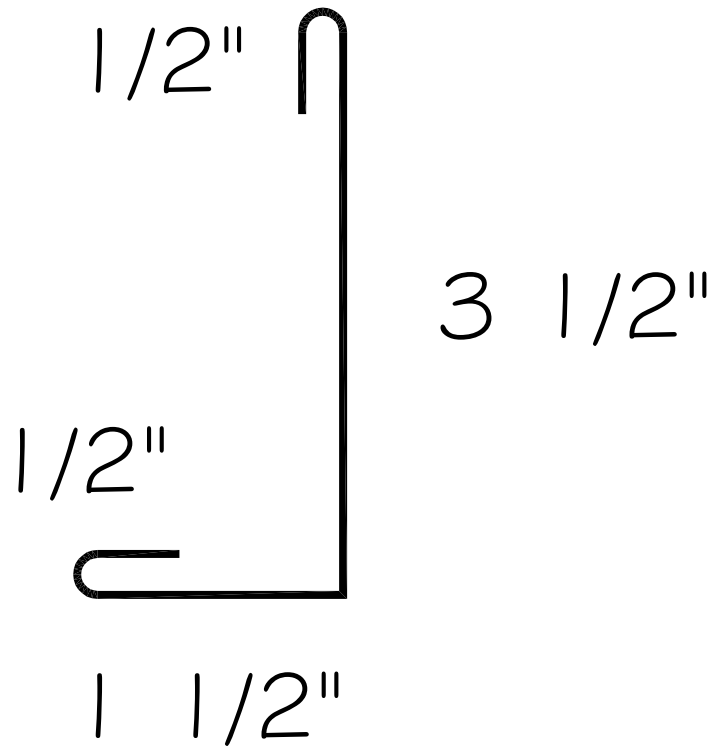
Scale: n/a

System: Multi-Rib Trim
Date: 7-7-05

Drawing: 16

CMP

CMP Multi-Rib Trim



Note: All trim lengths are standard 10'-0"
Lengths up to 26'-0" are Special Order.

Construction Metal Products Inc.
2204 West Front St.
Statesville, NC. 28677

Ph. 1-704-871-8704
Ph. 1-888-750-9827
Fx. 1-704-871-8704

Detail: 3 1/2" Fascia

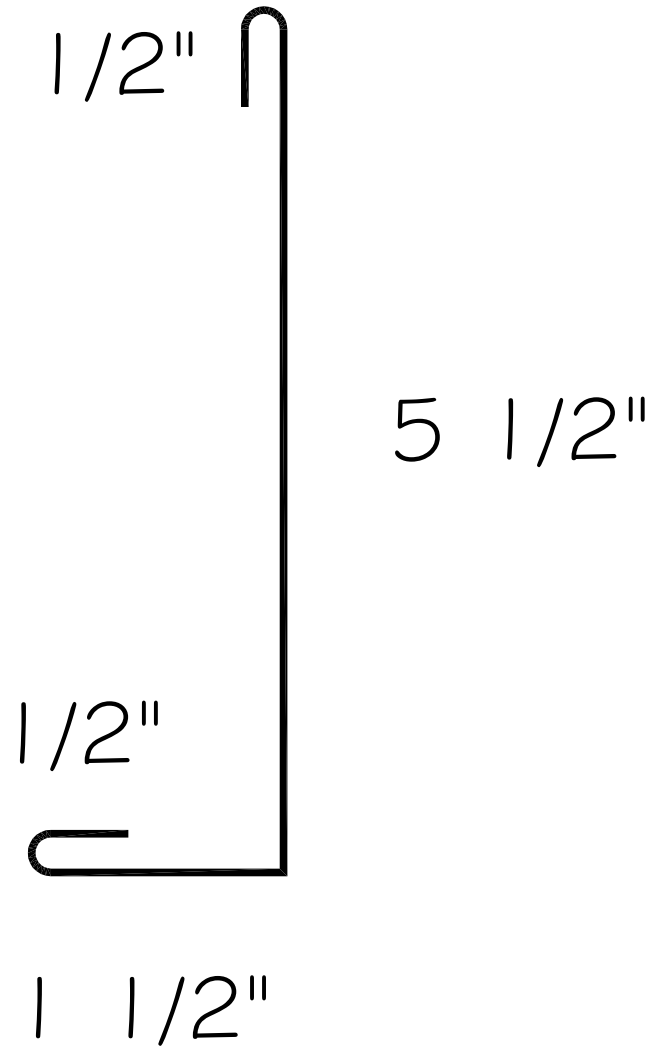
Scale: n/a

System: Multi-Rib Trim
Date: 7-7-05

CMP

Drawing: 17

CMP Multi-Rib Trim



Note: All trim lengths are standard 10'-0"
Lengths up to 26'-0" are Special Order.

Construction Metal Products Inc.
2204 West Front St.
Statesville, NC. 28677

Ph. 1-704-871-8704
Ph. 1-888-750-9827
Fx. 1-704-871-8704

Detail: 5 1/2" Fascia

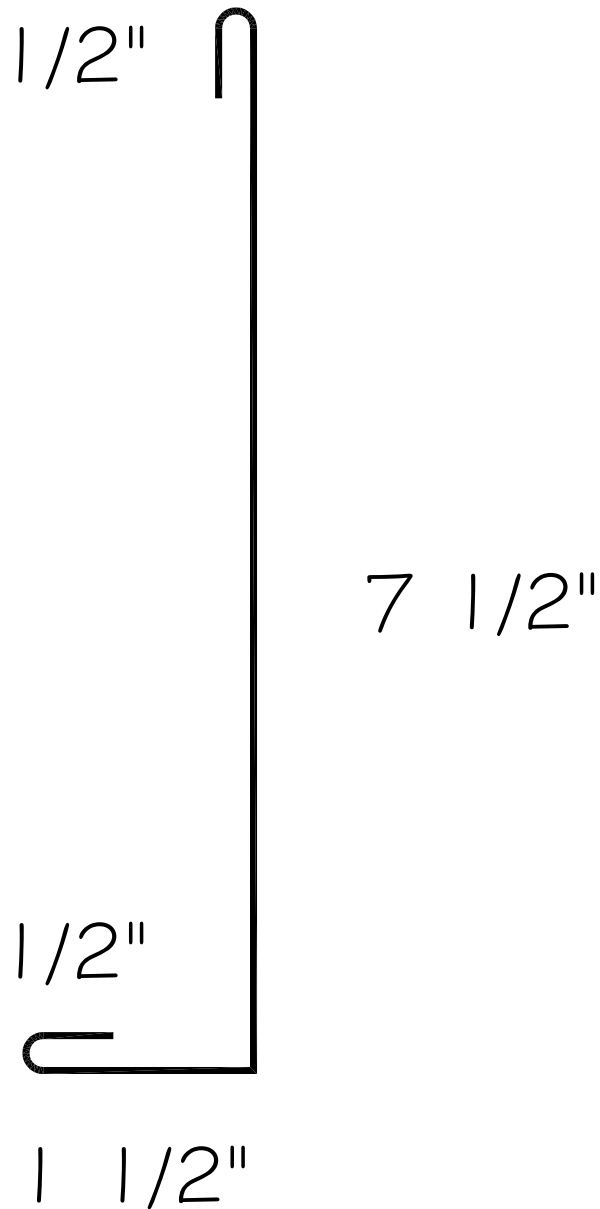
Scale: n/a

System: Multi-Rib Trim
Date: 7-7-05

Drawing: 18

CMP

CMP Multi-Rib Trim



Note: All trim lengths are standard 10'-0"
Lengths up to 26'-0" are Special Order.

Construction Metal Products Inc.
2204 West Front St.
Statesville, NC. 28677

Ph. 1-704-871-8704
Ph. 1-888-750-9827
Fx. 1-704-871-8704

Detail: 7 1/2" Fascia

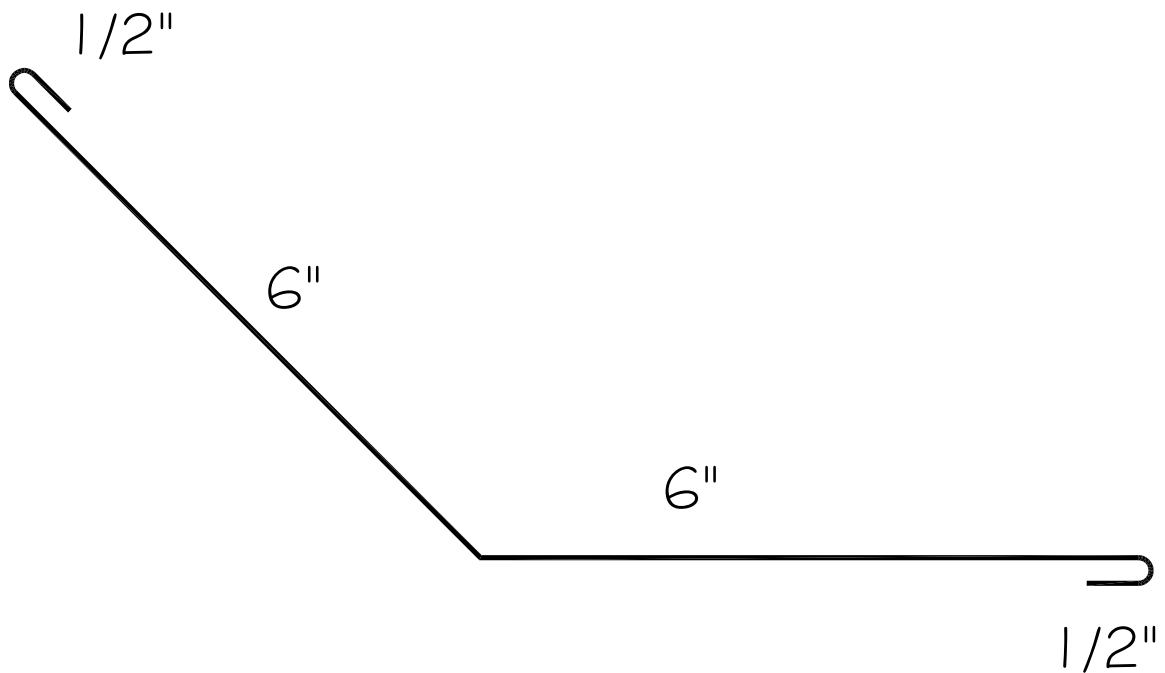
Scale: n/a

System: Multi-Rib Trim
Date: 7-7-05

Drawing: 19

CMP

CMP Multi-Rib Trim



Note: All trim lengths are standard 10'-0"
Lengths up to 26'-0" are Special Order.

Construction Metal Products Inc.
2204 West Front St.
Statesville, NC. 28677

Ph. 1-704-871-8704
Ph. 1-888-750-9827
Fx. 1-704-871-8704

Detail: Transition Trim

Scale: n/a

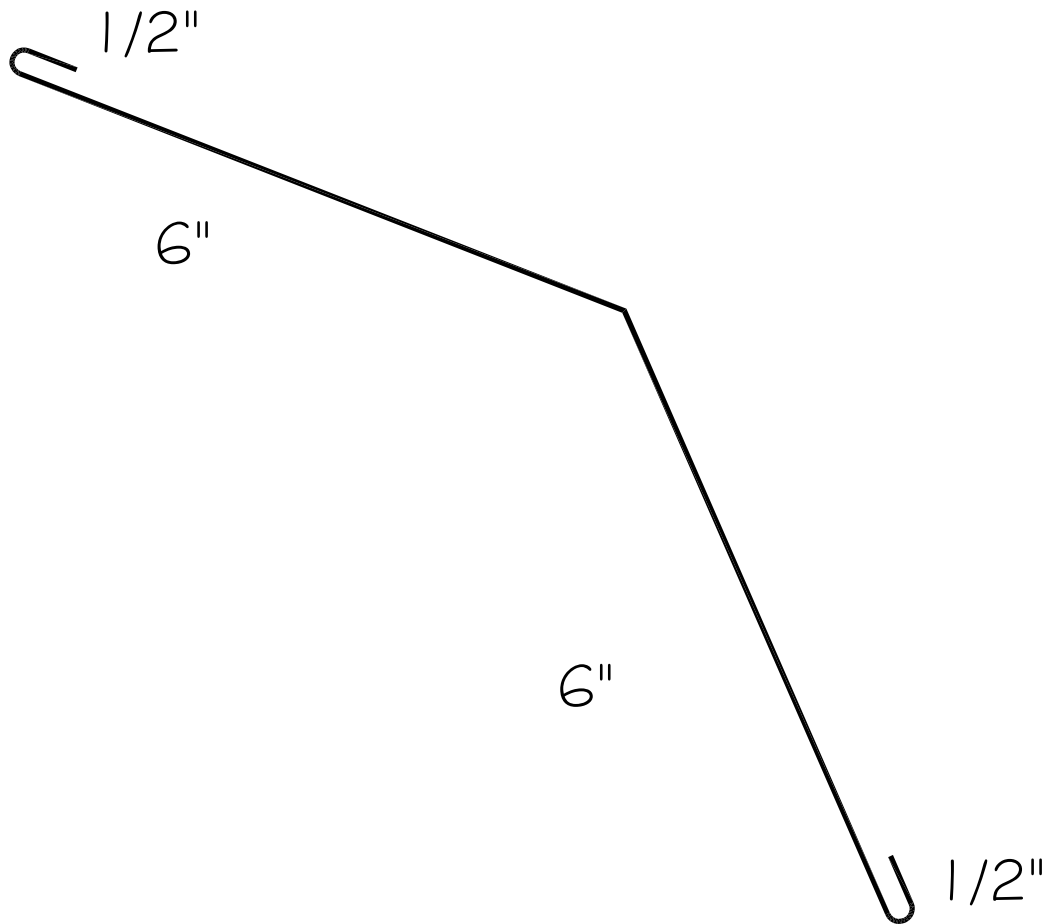
System: Multi-Rib Trim

Drawing: 20

Date: 7-7-05

CMP

CMP Multi-Rib Trim



Note: All trim lengths are standard 10'-0"
Lengths up to 26'-0" are Special Order.

Construction Metal Products Inc.
2204 West Front St.
Statesville, NC. 28677

Ph. 1-704-871-8704
Ph. 1-888-750-9827
Fx. 1-704-871-8704

Detail: Gambrel Trim

Scale: n/a

System: Multi-Rib Trim

Drawing: 21

Date: 7-7-05

CMP