

Construction Metal Products, Inc.

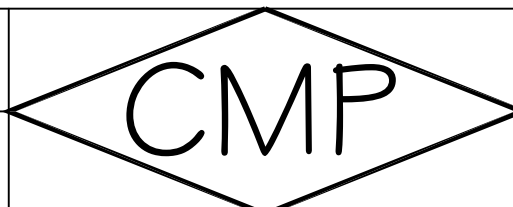
System: CMP Flush Panel

Drawings

1. Profile Sheet
2. Drip Edge
3. J Channel
4. Drip Edge @ Wall
5. Inside Corner
6. Outside Corner

DETAIL:

SYSTEM: CMP Flush Panel
DATE: 7-7-05

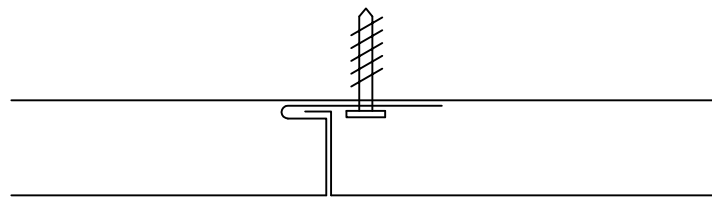
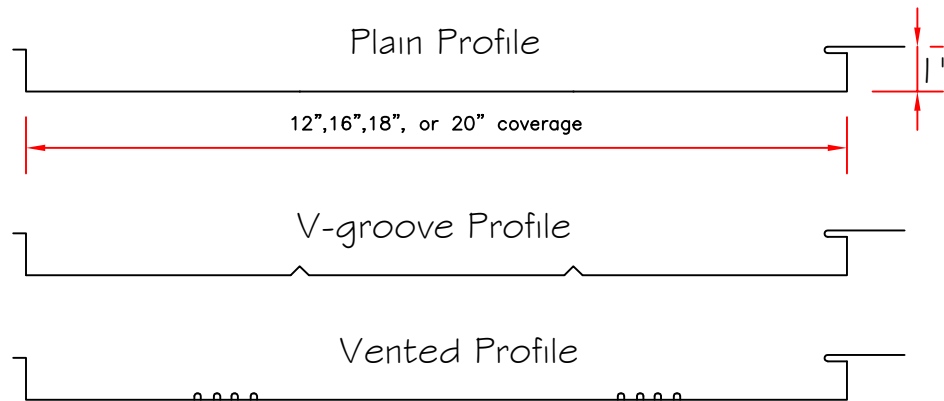


SCALE:

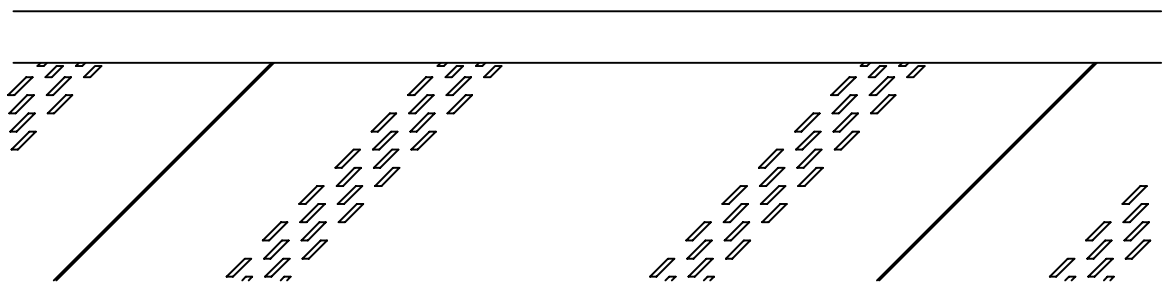
DRAWING NO:

CMP Flush Panel

Ideal for Gamble walls and soffits. Profiles can be either Plain, V-groove, or Vented. Panels can be fabricated from either .032 or .040 aluminum or 24-22 guage steel with Kynar finish or bare galvalume.



Panel Edge & Fastener



Exposed Panel

DETAIL: Panel Profile

SYSTEM: CMP Flush Panel
DATE: 7-7-05

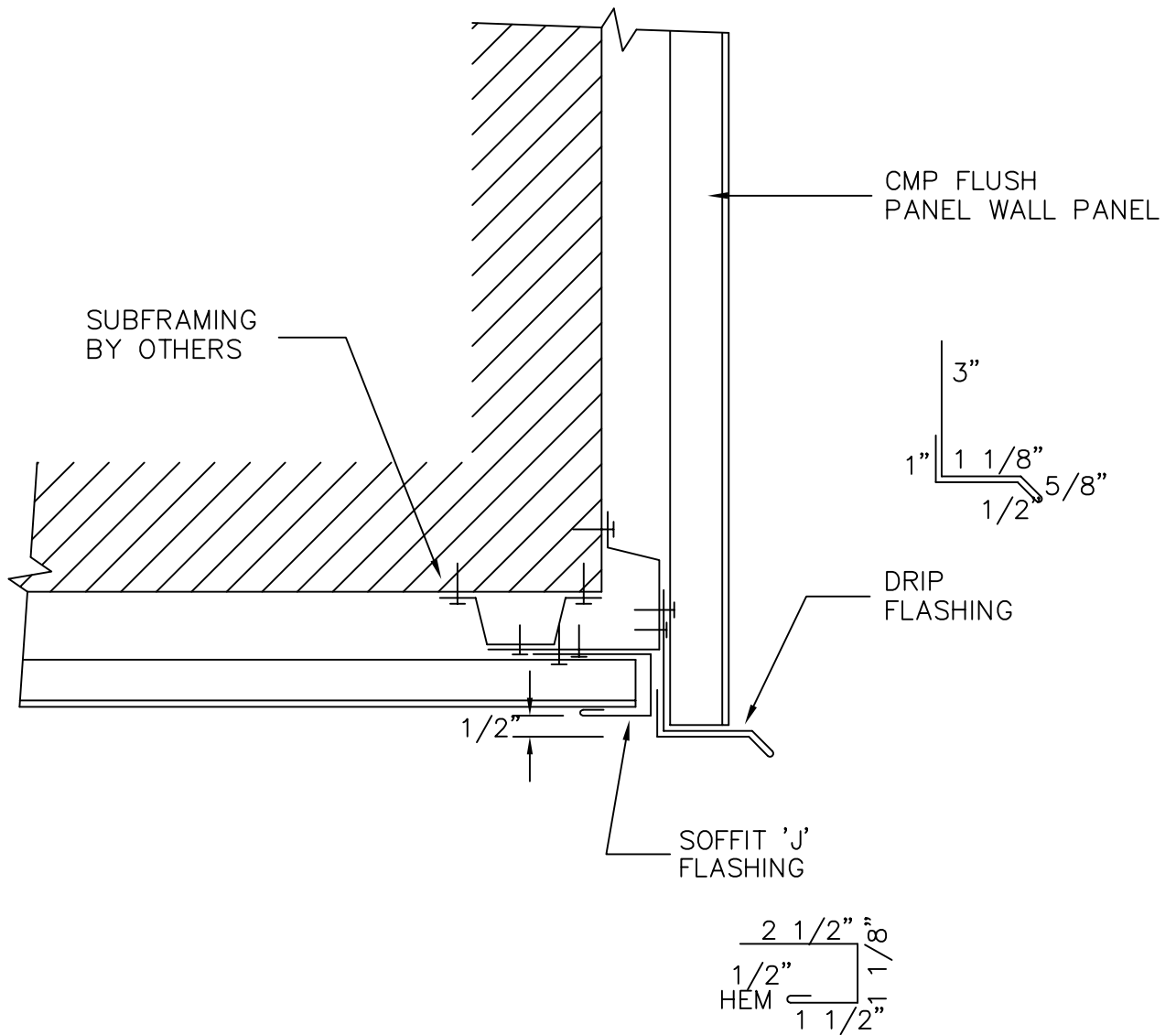


SCALE:

DRAWING NO: 1

CMP Flush Panel

Ideal for Gamble walls and soffits. Profiles can be either Plain, V-groove, or Vented. Panels can be fabricated from either .032 or .040 aluminum or 24-22 gauge steel with Kynar finish or bare galvalume.



DETAIL: Drip Edge

SCALE:

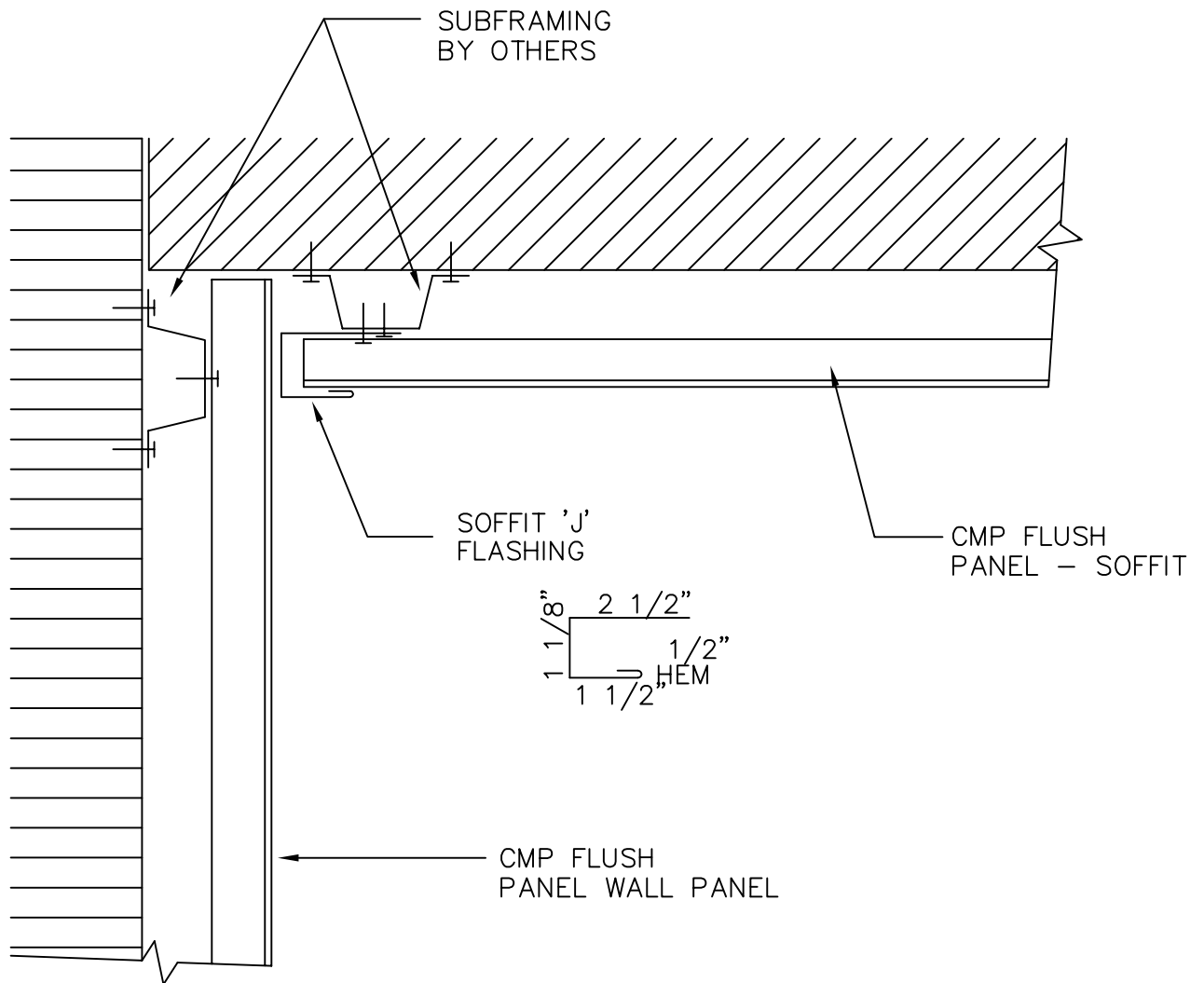
SYSTEM: CMP Flush Panel
DATE: 7-7-05



DRAWING NO: 2

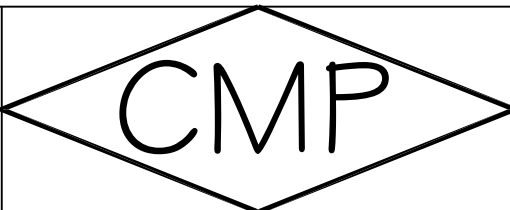
CMP Flush Panel

Ideal for Gamble walls and soffits. Profiles can be either Plain, V-groove, or Vented. Panels can be fabricated from either .032 or .040 aluminum or 24-22 guage steel with Kynar finish or bare galvalume.



DETAIL: J Channel

SYSTEM: CMP Flush Panel
DATE: 7-7-05

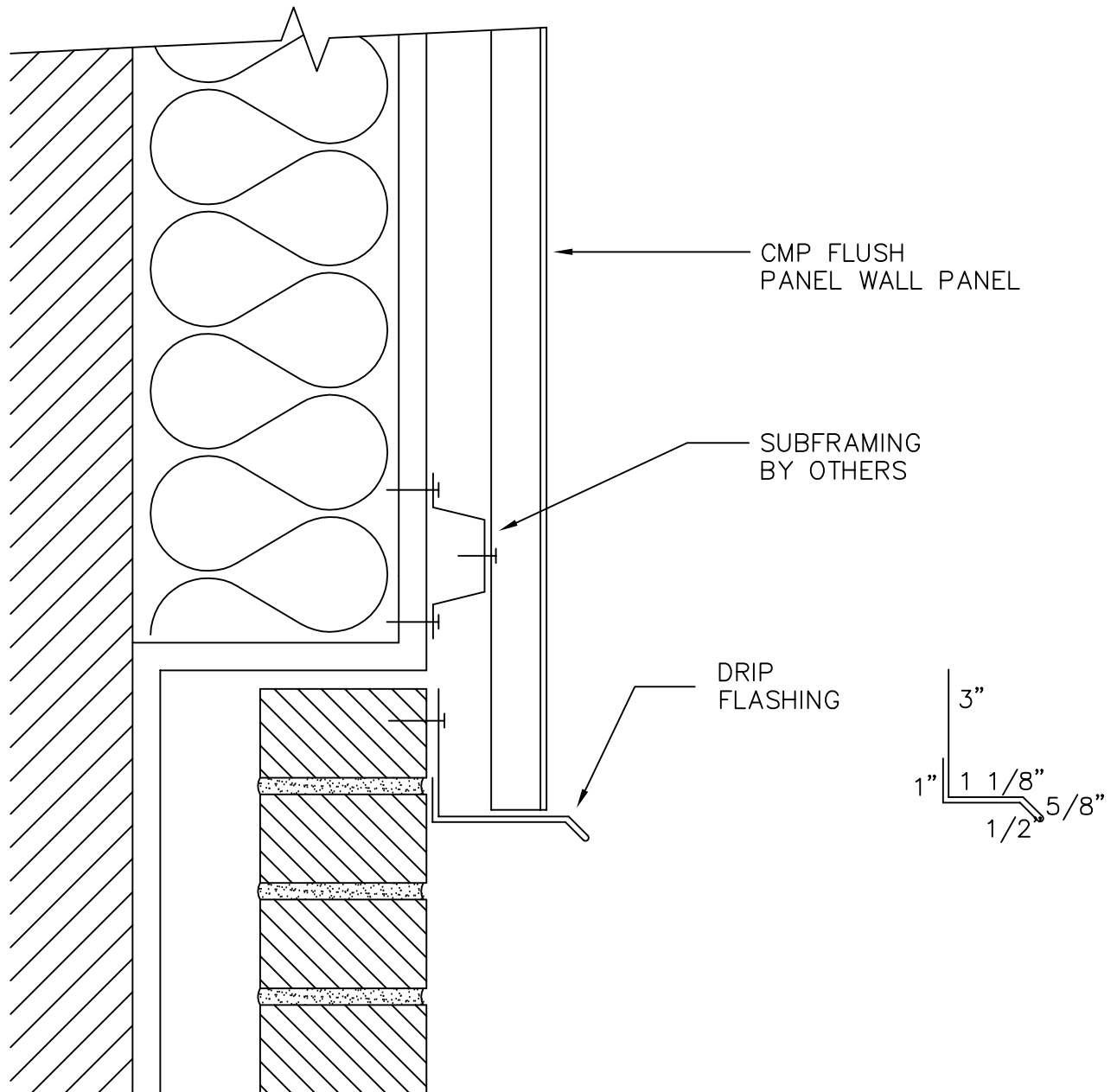


SCALE:

DRAWING NO: 3

CMP Flush Panel

Ideal for Gamble walls and soffits. Profiles can be either Plain, V-groove, or Vented. Panels can be fabricated from either .032 or .040 aluminum or 24-22 gauge steel with Kynar finish or bare galvalume.



DETAIL: Drip Edge @ Wall

SYSTEM: CMP Flush Panel
DATE: 7-7-05

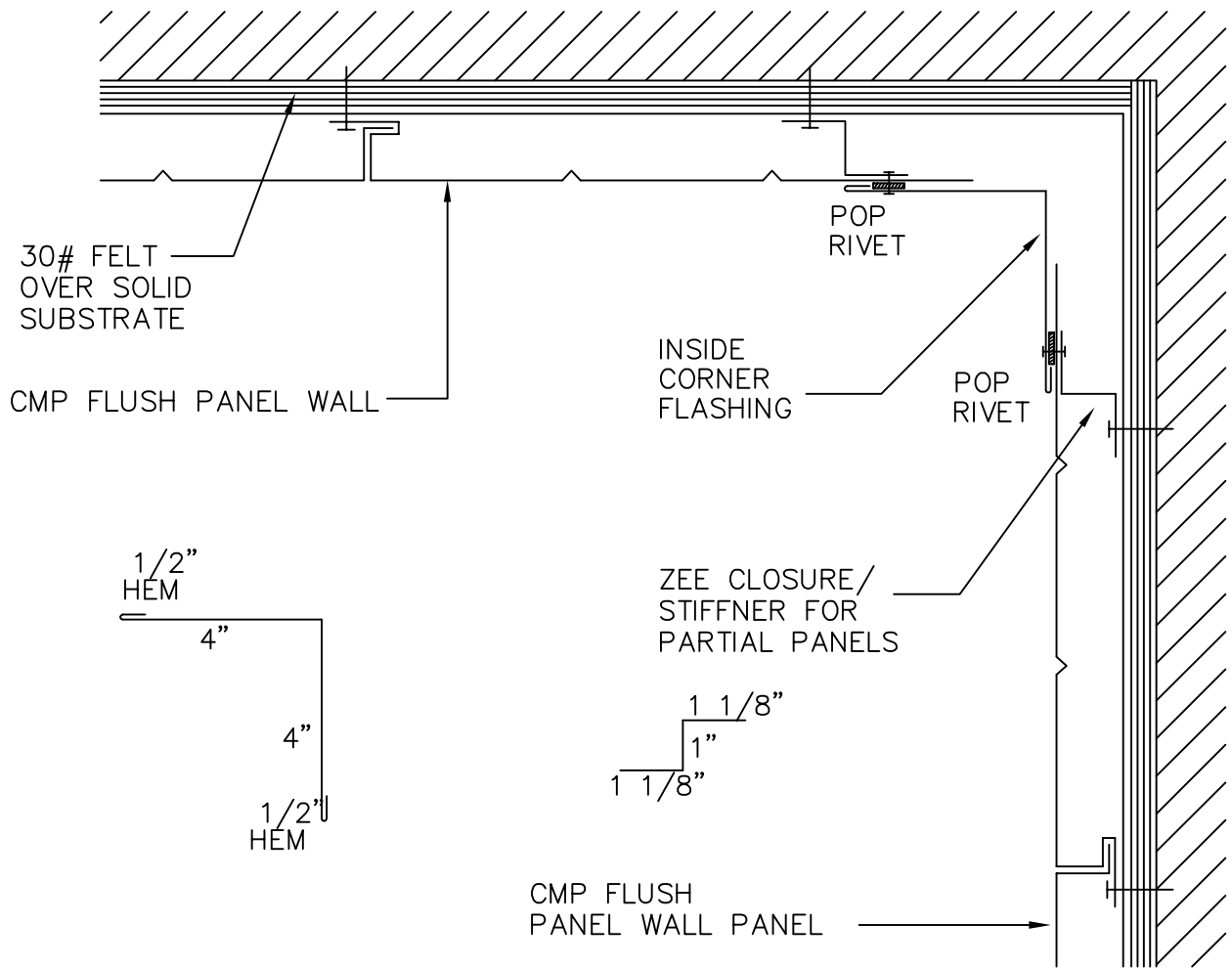
CMP

SCALE:

DRAWING NO: 4

CMP Flush Panel

Ideal for Gamble walls and soffits. Profiles can be either Plain, V-groove, or Vented. Panels can be fabricated from either .032 or .040 aluminum or 24-22 gauge steel with Kynar finish or bare galvalume.



DETAIL: Inside Corner

SCALE:

SYSTEM: CMP Flush Panel

DATE: 7-7-05

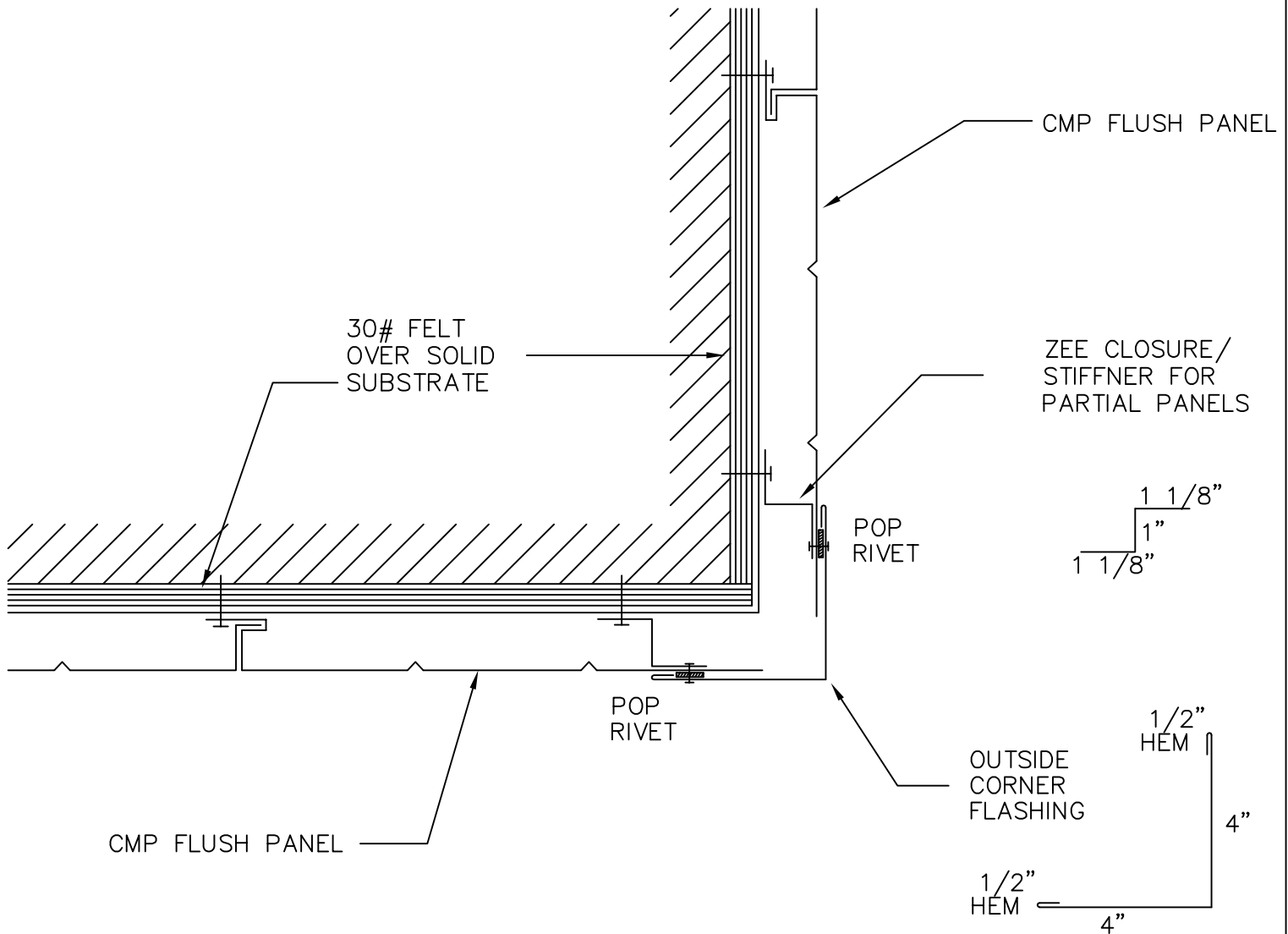


DRAWING NO:

5

CMP Flush Panel

Ideal for Gamble walls and soffits. Profiles can be either Plain, V-groove, or Vented. Panels can be fabricated from either .032 or .040 aluminum or 24-22 gauge steel with Kynar finish or bare galvalume.



DETAIL: Outside Corner

SYSTEM: CMP Flush Panel
DATE: 7-7-05



SCALE:

DRAWING NO: 6